

Bushnell®

GOLF



TOUR V5 SHIFT



TOUR V5



LASER RANGEFINDER OWNER'S GUIDE

LANGUAGE	PAGE
<u>ENGLISH</u>	<u>3-9</u>
<u>FRANÇAIS</u>	<u>10-16</u>
<u>ESPAÑOL</u>	<u>17-23</u>
<u>DEUTSCH</u>	<u>24-30</u>
<u>ITALIANO</u>	<u>31-37</u>
<u>日本語</u>	<u>38-44</u>
<u>中文</u>	<u>45-51</u>
<u>한국어</u>	<u>52-58</u>
<u>ภาษาไทย</u>	<u>59-65</u>
<u>INDONESIA</u>	<u>66-72</u>

Congratulations on upgrading your game with “BITE” with your purchase of the Bushnell® Tour V5 Laser Rangefinder. The Tour V5 is a precision Laser Ranging optical instrument designed to provide many years of enjoyment. This owner’s guide will help you achieve optimum performance by explaining its features and operation, as well as how to care for your rangefinder. To ensure optimal performance and longevity, please read these instructions before using your Tour V5.

⚠ WARNING: As with any laser device, it is not recommended to directly view the emissions for long periods of time with magnified lenses.

INTRODUCTION

Your Bushnell® Tour V5 is an advanced premium laser rangefinder comprised of digital technology and turbo processors allowing range readings from 5-1300 yards / 5-1189 meters. The Tour V5 delivers extremely fast acquisition and +/- 1 yard accuracy.

The Tour V5 features PinSeeker™ technology with JOLT, allowing the golfer to easily and quickly “zero” in on the flag without acquiring background targets, and superb optical quality. JOLT has been advanced with the all new “Visual JOLT.” A red ring now flashes as JOLT vibrates to give the golfer even greater feedback and confidence to know you have locked onto the flag.

Also new to the Tour V5 is Bushnell’s exclusive BITE magnetic mount that allows you to easily mount the Tour V5 right on the cart bar.

Parts Guide

1. BITE Magnet (see inset photo)
2. Yards/Meters Switch
3. Power/Fire Button
4. Eyepiece Diopter Dial
5. Battery Compartment
6. Slope Switch (Shift model only)



HOW OUR DIGITAL TECHNOLOGY WORKS

The Tour V5 emits invisible, eye safe, infrared energy pulses. The Tour V5 Advanced Digital microprocessor and ASIC chip (Application-Specific Integrated Circuit) results in instantaneous and accurate readings every time. Sophisticated digital technology instantaneously calculates distances by measuring the time it takes for each pulse to travel from the rangefinder, to the target, and back.

RANGING ACCURACY

The ranging accuracy of the Tour V5 is plus or minus one yard / meter under most circumstances. The maximum range of the instrument depends on the reflectivity of the target. The Tour V5 will range to a golf flag at 400 yards / 366 meters, while for highly reflective objects the maximum is 1300 yards / 1189 meters.

Note: You will get both longer and shorter maximum distances depending on the reflective properties of the particular target and the environmental conditions at the time the distance of an object is being measured. The color, surface finish, size and shape of the target all affect reflectivity and range. The greater the reflectivity of the target, the longer the range. A white or silver object is highly reflective, for example, and allows longer ranges than the color black, which is the least reflective color. A shiny or glossy finish provides more range than a dull one. A small target is more difficult to range than a larger target. The angle to the target also has an effect. Shooting to a target at a 90 degree angle (where the target surface is perpendicular to the flight path of the emitted energy pulses) provides good range while a steep angle on the other hand, provides limited ranging. In addition, lighting conditions (e.g. the amount of sunlight) will affect the ranging capabilities of the unit. The less light (e.g. overcast skies) the farther the unit’s maximum range will be. Conversely, very sunny days will decrease the unit’s maximum range.

ACTIVATING/REPLACING THE BATTERY

Remove the battery cover by lifting the battery cover tab and then rotating the cover counter clockwise until it is loose. Lift off the cover and set it aside.

ACTIVATING THE INSTALLED BATTERY: A CR2 battery is pre-installed in your new Tour V5. Before using the rangefinder, remove the battery cover as described above. Remove the red plastic protective disc (see photo, right) from the top of the battery, then replace the battery cover.

REPLACING A LOW BATTERY: Insert a new CR2 3-volt lithium battery into the compartment positive end first (negative "flat" end facing out towards the battery cover), then replace the battery cover. Note: It is recommended that the battery be replaced at least once every 6 months.



BASIC OPERATION

1. While looking through the Tour V5, depress the Power/Fire button once to activate the display. If the display icons and numbers are blurry, rotate the eyepiece in either direction until they are in focus (see "Adjusting the Eyepiece" below).
2. Placing the aiming circle (center of the display) over a target at least 5 yards away, press and hold the Power/Fire button until the "line of sight" distance is displayed near the bottom of the display (see "Display Indicators" below). Crosshairs surrounding the aiming circle indicate that the laser is being transmitted.
3. After a range has been acquired and displayed, you can release the Power/Fire button. The crosshairs surrounding the aiming circle will disappear once the Power/Fire button has been released (i.e. the laser is no longer being transmitted).
4. Once activated, the display will remain visible and continue to display the last distance measurement for 10 seconds. You can press the Power/Fire button again at any time to range to a new target. The maximum time the laser is transmitted (active) is 5 seconds. To re-fire, press the button down again.

USING PINSEEKER™ WITH VISUAL JOLT®

Bushnell's exclusive Pinseeker™ feature allows reliable targeting of the flag without inadvertently getting distances to large background targets (i.e. trees) that have stronger signal strength.

When ranging your target, if the laser beam recognized more than one object (for example, the flag and a group of trees behind it), only the distance to the closest object (the flag) will be displayed. The JOLT Technology provides two short bursts of vibration to confirm that the distance displayed is to the flag, and the red ring (Visual JOLT Indicator) around the outer edge of the display is activated, confirming the laser has ranged the correct target via Pinseeker.

There may be times when the laser beam only sees one object in its path. In this case, the distance will be displayed, but because more than one object was not acquired, no JOLT indication will be provided.

Tip: While pressing the Power/Fire button, you can move the device slowly from object to object and intentionally force the laser to hit multiple objects to ensure that you are only displaying the closest of the objects recognized by the laser. Once the device has shut off, the unit will always default back to the last mode used.

ADJUSTING THE EYEPIECE

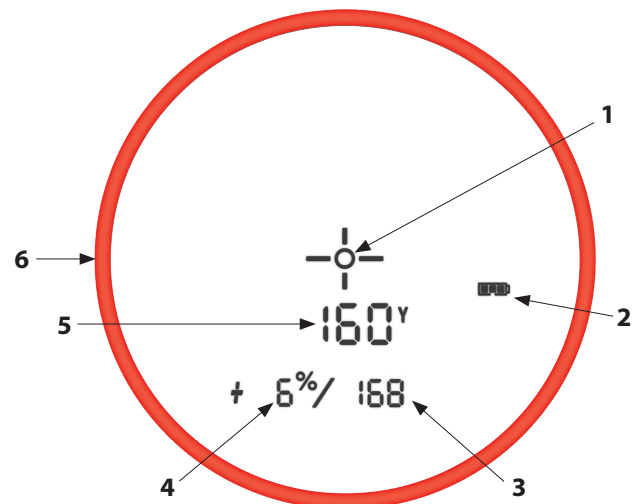
The Tour V5 is equipped with an adjustable Fast Focus eyepiece (+/- 3.5 diopter adjustment) that allows you to focus the displayed data and icons relative to the viewed image from the monocular optics. Simply rotate the eyepiece until the display is in focus.

DISPLAY INDICATORS

Your Tour V5 display incorporates the following indicators (refer to display image at right):




1. Aiming Circle (surrounding crosshairs indicate laser transmission)
2. Battery Level
3. "Play As" Distance* (based on Slope)
4. Slope* (% grade)
5. Line of Sight Distance
6. Visual JOLT Indicator Ring

*Shift model only



BATTERY LEVEL INDICATOR

The Battery Indicator (2) shows remaining power level:

- Full charge 
- approx. 2/3 battery life remaining 
- approx. 1/3 battery Life remaining 
- Battery Indicator Blinks - Battery needs to be replaced and unit will not be operable.

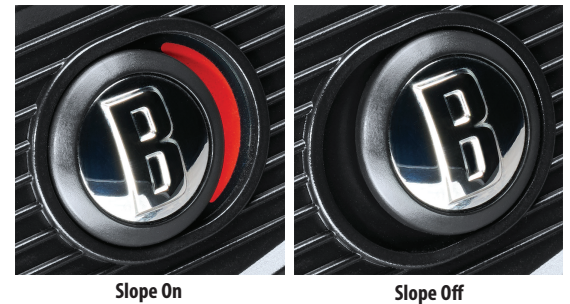
ACTIVE LASER

Crosshairs surrounding the aiming circle indicate that the laser is being transmitted. Once a range has been acquired, you can release the Power/Fire button. The crosshairs surrounding the circle will disappear once the Power/Fire button has been released (i.e. the laser is no longer being transmitted).

SLOPE SWITCH TECHNOLOGY (TOUR V5 SHIFT MODEL# 201910 ONLY)

Slope-Switch Technology lets the golfer easily turn Bushnell's patented Slope function on and off. This allows the golfer to conveniently utilize Slope to get compensated distances around the course when they want it and have a USGA conforming device that is legal for tournament play when they need it.

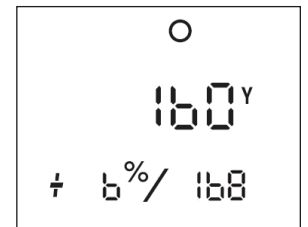
When slope is enabled by sliding the Slope Switch on the side of the Tour V5 Shift (model# 201910) to the left so the red Slope indicator is visible (see photo, right), Bushnell's patented Slope Technology is displayed. The Slope +/- mode will automatically compute an angle compensated range based upon distance and slope determined by the laser rangefinder and built-in inclinometer. This data is then combined with internal algorithmic formulas dealing with average club use and ball trajectories. The angle compensated range provides direction on how to play the shot (i.e. add distance if an incline, subtract distance if a decline). Slide the Slope Switch right, and your Tour V5 now conforms to USGA Rule 14-3, with the slope compensated ranging feature removed.



HOW TO USE SLOPE +/-™ (TOUR V5 SHIFT MODEL# 201910 ONLY)

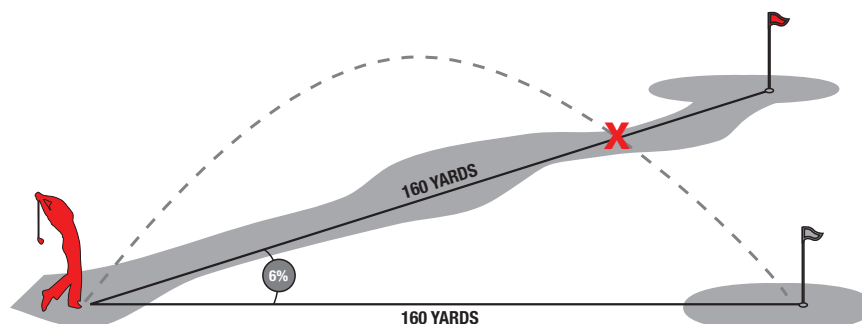
Move the slope switch to the "Slope On" position. You will see a second row of information appear in the display, confirming that you are now in slope mode. Press the Power/Fire button to obtain distance to the flag or other objects. Once the range is displayed, release the Power/Fire button. Once you have released the Power/Fire button, a grade percentage and compensated range will be displayed beneath the standard distance in the second row of numbers.

For example, if the true distance is 160 yards, but with a slope of +6 percent, the slope compensated ("play-as") range is 168 yards. The display would show this (right):



THE ADVANTAGE OF SLOPE +/-™ (TOUR V5 SHIFT)

The distance to the black flag in the drawing (see below) is 160 yards. It is also 160 yards to the red flag, although it is on a slope with a 6% grade (uphill incline). However, if a golfer were to play this hole as 160 yards, the ball (X) would fall short of the hole/flag if slope was not taken into account. Due to the slope, it should be played as a 168 yard shot. This will be displayed as the "play as" distance below the line of sight distance.



SETTING DISTANCE UNITS/JOLT PREVIEW

To select distance units (yards<>meters), press Fire/Power (*right*) to turn the unit on, then hold the Y/M button until units change in display.

This also activates the JOLT indicators (vibration and visual ring in display), allowing you to preview/demo the effect of JOLT Technology without requiring you to fire the laser at a target.



BITE MAGNETIC MOUNT

The Tour V5 features a powerful BITE magnet incorporated into the right side of its housing, which allows the device to be securely attached to a golf cart bar or frame.

⚠ WARNING: Bite feature included with device contains a Neodymium magnet. Magnets could affect the functioning of pacemakers and implanted heart defibrillators. If you use these devices, keep sufficient distance from magnet. Warn others who wear these devices from getting too close to magnets.

- Magnet may lose part of its adhesive force permanently if exposed to temperatures above 1750 F (800 C).
- Magnets produce far-reaching, strong magnetic field. They could damage TVs and laptops, computer hard drives, credit and ATM cards, data storage media, mechanical watches, hearing aids and speakers. Keep unit away from devices and objects that could be damaged by strong magnetic fields.
- Magnets have strong magnetic fields which can pinch skin and fingers. Use caution when attaching the unit to a metal bar.



CLEANING AND GENERAL CARE

The lenses of your Bushnell Tour V5 laser rangefinder are fully multi-coated for highest light transmission. As with any multi-coated optics, special care must be taken in cleaning the lenses. Follow these tips for proper lens cleaning:

- Blow away any dust or debris on the lens (or use a soft lens brush).
- To remove dirt or finger prints, clean with the supplied micro-fiber cloth rubbing in a circular motion. Use of a coarse cloth or unnecessary rubbing may scratch the lens surface and eventually cause permanent damage. The included washable microfiber cleaning cloth is ideal for the routine cleaning of your optics. Simply breathe lightly on the lens to provide a slight amount of moisture, then gently rub the lens with the microfiber cloth.
- For a more thorough cleaning, photographic lens tissue and photographic-type lens cleaning fluid or isopropyl alcohol may be used. Always apply the fluid to the cleaning cloth - never directly on the lens.
- The rangefinder is water resistant, but should not be exposed to heavy rain or other direct streams of water, and will not withstand submersion in water or other liquids.

⚠ CAUTION: Use caution to avoid direct sunlight into the eyepiece to prevent damage to the display/internal components. When using the BITE magnet to attach the device to a cart bar or frame, tilt the device so the eyepiece is aimed towards the ground, not pointed upwards towards the sun. When you are not using the device, please store it in the case for additional protection.

TROUBLESHOOTING

Never disassemble your laser rangefinder. Irreparable damage can result from unauthorized service attempts, which also void the warranty.

If unit does not turn on, display does not illuminate:

- Depress Power/Fire button.
- Check and if necessary, replace battery. If unit does not respond to button presses, replace the battery with a good quality CR2 3-volt Lithium battery.

If unit powers down (display goes blank when attempting to power the laser):

- The battery is either weak or low quality. Replace the battery with a new 3 -volt lithium battery (CR2).


If target range cannot be obtained:

- Make sure the display is illuminated.
- Make sure that the Power/Fire button is being depressed.
- Make sure that nothing, such as your hand or finger, is blocking the objective lenses (lenses closest to the target) that emit and receive the laser pulses.
- Make sure unit is held steady while depressing Power/Fire button.

NOTE: The last range reading does not need to be cleared before ranging another target. Simply aim at the new target using the display reticle, depress the Power/Fire button and hold until new range reading is displayed.

Technical Specifications

Dimensions	1.5 x 4.25 x 3 inches
Weight	8 oz.
Ranging Accuracy	Accurate to +/- 1 yard
Range	5-1300 Yards / 5-1189 Meters
Magnification	6x
Objective Diameter	22 mm
Optical Coatings	Fully Multi-Coated
Display	LCD w/illuminated Jolt indicator ring
Power Source	3-volt lithium (CR-2)
Field Of View	300 ft. @ 1000 yards / 100 meters @ 1000 meters
Extra Long Eye Relief	13 mm
Exit Pupil	3.5 mm
Included Items	Premium Carrying Case and CR2 Battery

 **WARNING:** This product uses a Lithium based battery. Lithium batteries can overheat and cause damage if physically abused. Do not use batteries that are damaged or show signs of physical wear.

FCC Statement

This device complies with part 15 of the FCC Rules. Operation is subject to the following two conditions: (1) This device may not cause harmful interference, and (2) this device must accept any interference received, including interference that may cause undesired operation.

This equipment has been tested and found to comply with the limits for a Class B digital device, pursuant to Part 15 of the FCC Rules. These limits are designed to provide reasonable protection against harmful interference in a residential installation.

This equipment generates, uses and can radiate radio frequency energy and, if not installed and used in accordance with the instructions, may cause harmful interference to radio communications. However, there is no guarantee that interference will not occur in a particular installation.

If this equipment does cause harmful interference to radio or television reception, which can be determined by turning the equipment off and on, the user is encouraged to try to correct the interference by one or more of the following measures:

- Reorient or relocate the receiving antenna.
- Increase the separation between the equipment and receiver.
- Connect the equipment into an outlet on a circuit different from that to which the receiver is connected.
- Consult the dealer or an experienced radio/TV technician for help.



Explanatory label only appears here within the user manual due to space constraints.

Service Notes:

- The consumer may remove the battery door to replace the battery.
- This product contains no user serviceable controls.
- This product must not be opened or modified by the consumer.
- This product must be returned to the manufacturer for service.

Contact : Bushnell Holdings, Inc.

9200 Cody, Overland Park KS 66214



FDA SAFETY

Complies with 21CFR1040.10 and 1040.11 except for conformance with IEC60825-1 Ed.3., as described in Laser Notice 56, dated May 8, 2019

Caution- use of controls or adjustments or performance of procedures other than those specified herein may result in hazardous radiation exposure.

Industry Canada Statement :

This device complies with ISED's licence-exempt RSSs. Operation is subject to the following two conditions: (1) This device may not cause harmful interference, and (2) this device must accept any interference received, including interference that may cause undesired operation.

Le présent appareil est conforme aux CNR d'ISED applicables aux appareils radio exempts de licence. L'exploitation est autorisée aux deux conditions suivantes: (1) le dispositif ne doit pas produire de brouillage préjudiciable, et (2) ce dispositif doit accepter tout brouillage reçu, y compris un brouillage susceptible de provoquer un fonctionnement indésirable.

Radiation Exposure Statement / Déclaration d'exposition aux radiations :

This device complies with the Industry Canada portable RF exposure limit set forth for an uncontrolled environment and is safe for the intended operation as described in this manual. Further RF exposure reduction can be achieved if the product can be kept as far as possible from the user's body or if the device is set to a lower output power if such function is available.

Le produit est conforme aux limites d'exposition pour les appareils portables RF pour les Etats-Unis et le Canada établies pour un environnement non contrôlé.

Le produit est sûr pour un fonctionnement tel que décrit dans ce manuel. La réduction aux expositions RF peut être augmentée si l'appareil peut être conservé aussi loin que possible du corps de l'utilisateur ou que le dispositif est réglé sur la puissance de sortie la plus faible si une telle fonction est disponible.

<http://patents.vistaoutdoor.com>

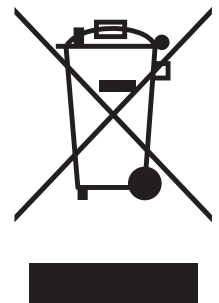
Disposal of Electric and Electronic Equipment

(Applicable in the EU and other European countries with separate collection systems)

This equipment contains electric and/or electronic parts and must therefore not be disposed of as normal household waste. Instead, it should be disposed at the respective collection points for recycling provided by the communities. For you, this is free of charge.

If the equipment contains exchangeable (rechargeable) batteries, these too must be removed before and, if necessary, in turn be disposed of according to the relevant regulations (see also the respective comments in this unit's instructions).

Further information about the subject is available at your community administration, your local waste collection company, or in the store where you purchased this equipment.



TWO-YEAR LIMITED WARRANTY

Your Bushnell® golf laser rangefinder is warranted to be free of defects in materials and workmanship for two years after the date of purchase. In the event of a defect under this warranty, we will, at our option, repair or replace the product, provided that you return the product postage prepaid. This warranty does not cover damages caused by misuse, improper handling, installation, or maintenance provided by someone other than a Bushnell® Authorized Service Department.

Any return made under this warranty must be accompanied by the items listed below:

1. A check/money order in the amount of \$10.00 to cover the cost of postage and handling
2. Name, address and daytime phone # for product return.
3. An explanation of the defect.
4. Copy of your dated proof of purchase.

Do not send in accessories (batteries, case, strap, etc.), only the product for repair.

Product should be well packed in a sturdy outside shipping carton to prevent damage in transit, and shipped to the address listed below:

IN U.S.A. Send To:

Bushnell® Outdoor Products
Attn.: Repairs
9200 Cody
Overland Park, Kansas 66214

IN CANADA Send To:

Bushnell® Outdoor Products
Attn.: Repairs
140 Great Gulf Drive, Unit B
Vaughan, Ontario L4K 5W1

For products purchased outside the United States or Canada please contact your local dealer for applicable warranty information.

This warranty gives you specific legal rights.
You may have other rights which vary from country to country.

©2020 Bushnell® Outdoor Products

Félicitations pour l'amélioration de votre jeu grâce à « BITE », avec votre achat du télémètre laser Bushnell® Tour V5. Le Tour V5 est un instrument optique de télémétrie laser de précision, conçu pour offrir de nombreuses années d'utilisation. Ce guide du propriétaire vous aidera à obtenir des performances optimales en vous expliquant les caractéristiques et le fonctionnement de votre télémètre, ainsi que comment en prendre soin. Pour garantir des performances et une longévité optimales, veuillez lire ces instructions avant d'utiliser votre Tour V5.

AVERTISSEMENT : comme pour tout appareil laser, il est recommandé de ne pas regarder directement les émissions avec des lentilles grossissantes pendant des périodes prolongées.

PRÉSENTATION

Votre Bushnell® Tour V5 est un télémètre laser avancé et haute qualité qui intègre une technologie numérique et des turbo processeurs, fournissant des distances précises de 5 à 1189 mètres (5 à 1300 yards). Le Tour V5 offre une acquisition extrêmement rapide et une précision de +/- 1 mètre.

Le Tour V5 est doté de la technologie PinSeeker™ avec JOLT, offrant une superbe qualité optique et permettant au golfeur de facilement et rapidement viser le drapeau en l'isolant des cibles en arrière-plan. Le JOLT a été perfectionné à l'aide du tout nouveau « Visual JOLT ». Un cercle rouge s'allume tandis que le JOLT vibre pour apporter au golfeur plus d'informations et l'assurance d'avoir verrouillé le drapeau.

L'autre nouveauté apportée au Tour V5 est le support magnétique BITE exclusif de Bushnell qui vous permet de facilement fixer le Tour V5 directement sur la voiturette.

Guide des pièces

1. Aimant BITE (consultez la photo)
2. Commutateur yards/mètres
3. Bouton Alimentation/ Déclenchement
4. Commutateur de dioptrie de l'oculaire
5. Compartiment à pile
6. Commutateur Slope (modèle Shift uniquement)



FONCTIONNEMENT DE NOTRE TECHNOLOGIE NUMÉRIQUE

Le Tour V5 émet des impulsions d'énergie à infrarouges invisibles et sans danger pour les yeux. Le microprocesseur Advanced Digital du Tour V5 et la puce ASIC (Application-Specific Integrated Circuit) permettent des lectures instantanées et précises à chaque fois. Cette technologie numérique sophistiquée calcule instantanément les distances en mesurant le temps nécessaire pour que chaque impulsion envoyée à la cible revienne au télémètre.

PRÉCISION DE TÉLÉMÉTRIE

La précision de portée du Tour V5 est de plus ou moins un yard / un mètre dans la plupart des circonstances. La portée maximale de l'instrument dépend de la réflectivité de la cible. Le Tour V5 atteindra un drapeau de golf à 400 yards / 366 mètres, tandis que pour les objets fortement réfléchissants, le maximum est de 1300 yards / 1189 mètres.

Remarque : la distance maximale obtenue peut être plus ou moins longue selon les propriétés réfléchissantes de la cible et les conditions environnementales au moment de la mesure. La couleur, la finition de la surface, la taille et la forme de la cible peuvent modifier la réflectivité et la portée. Plus la réflectivité de la cible est importante, plus la portée sera longue. Par exemple, un objet blanc ou argenté est très réfléchissant et génère une portée plus longue que le noir, qui est la couleur la moins réfléchissante. Un aspect brillant ou lustré offre une plus grande portée qu'un aspect terne. La distance d'une petite cible est plus difficile à mesurer que celle d'une grande. L'angle de la cible joue également un rôle. Viser une cible avec un angle de 90 degrés (surface de la cible perpendiculaire à la trajectoire des impulsions d'énergie émises) assure une bonne portée, mais un angle plus prononcé peut limiter celle-ci. De plus, les conditions d'éclairage (par exemple, la quantité de lumière naturelle) modifient les capacités de calcul de distance de l'appareil. Plus la lumière est faible (par exemple, un ciel couvert), plus la portée maximale de l'appareil est importante. À l'inverse, la portée maximale de l'appareil diminue lors des journées très ensoleillées.

ACTIVATION/REPLACEMENT DE LA PILE

Retirez le couvercle du compartiment à pile en soulevant la languette, puis faites tourner le couvercle dans le sens contraire des aiguilles d'une montre jusqu'à ce qu'il soit libéré. Soulevez le couvercle et mettez-le de côté.

ACTIVER LA PILE INSTALLÉE : une pile CR2 est préinstallée dans votre nouveau Tour V5. Avant d'utiliser le télémètre, retirez le couvercle de la pile comme décrit ci-dessus. Retirez le disque de protection en plastique rouge (voir photo de droite) situé en haut de la pile, puis remettez le couvercle en place.

REPLACER UNE PILE DÉCHARGÉE : insérez une nouvelle pile au lithium CR2 de 3 volts dans le compartiment, en positionnant d'abord la borne négative (plate), la borne positive faisant face au couvercle de la pile, puis replacez le couvercle. Remarque : il est recommandé de remplacer la pile au moins une fois tous les 6 mois.



FONCTIONNEMENT DE BASE

1. Tout en regardant à travers le Tour V5, appuyez une fois sur le bouton Alimentation/Déclenchement pour activer l'affichage. Si les icônes et nombres affichés sont flous, tournez l'oculaire dans l'un ou l'autre sens, jusqu'à obtenir une vision nette (*consultez la section « Ajuster l'oculaire » ci-dessous*).
2. Placez le cercle de visée (situé au centre de l'écran) sur une cible située à au moins 4,6 mètres (5 yards), appuyez longuement sur le bouton Alimentation/Déclenchement jusqu'à ce que la lecture de la distance soit visible près du bas de l'écran (*consultez la section « Indicateurs affichés » ci-dessous*). Le réticule entourant le cercle de visée indique que le laser est transmis.
3. Une fois la distance obtenue et affichée, vous pouvez relâcher le bouton Alimentation/Déclenchement. Le réticule entourant le cercle de visée disparaît une fois le bouton Alimentation/Déclenchement relâché (c'est-à-dire lorsque le laser n'est plus transmis).
4. Une fois activé, l'écran reste actif et continue d'afficher la dernière mesure de distance pendant 10 secondes. Vous pouvez à nouveau appuyer sur le bouton Alimentation/Déclenchement à tout moment pour connaître la distance d'une nouvelle cible. La durée maximale de transmission du laser (actif) est de 5 secondes. Pour effectuer un nouveau déclenchement, appuyez à nouveau sur le bouton.

UTILISATION DE PINSEEKER™ AVEC VISUAL JOLT®

La fonctionnalité exclusive Pinseeker™ de Bushnell permet un ciblage fiable du drapeau sans mesurer par inadvertance de grosses cibles en arrière-plan (par exemple, des arbres) qui ont une puissance de signal plus forte.

Lorsque vous essayez de mesurer la distance d'une cible, si le rayon laser a reconnu plusieurs objets (par exemple, le drapeau et plusieurs arbres en arrière-plan), seule la distance jusqu'à l'objet le plus proche (le drapeau) sera affichée. La technologie JOLT déclenche deux courtes vibrations pour confirmer que la distance affichée est celle menant au drapeau, et le cercle rouge (l'indicateur Visual JOLT) autour des bords extérieurs de l'affichage est activé, confirmant que le laser a mesuré la cible correcte via Pinseeker.

Il peut arriver que le faisceau laser ne détecte qu'un objet sur sa trajectoire. Dans ce cas, la distance s'affiche, mais comme un seul objet a été détecté, aucune indication JOLT ne sera fournie.

Conseil : lorsque vous appuyez sur le bouton Alimentation/Déclenchement, vous pouvez déplacer lentement l'appareil d'un objet à un autre et forcer le laser à viser plusieurs objets afin de vous assurer que la distance affichée concerne l'objet le plus proche. Une fois l'appareil éteint, il revient toujours par défaut au dernier mode utilisé.

AJUSTER L'OCULAIRE

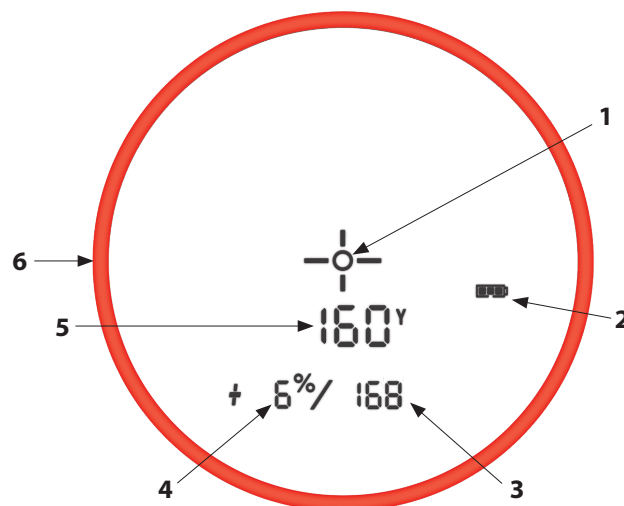
Le Tour V5 est équipé d'un oculaire Fast Focus réglable (*ajustement de +/- 3,5 dioptries*) qui vous permet de focaliser les données et les icônes affichées par rapport à l'image visualisée à partir de l'optique monoculaire. Faites simplement tourner l'oculaire jusqu'à ce que l'affichage soit net.

INDICATEURS AFFICHÉS

L'écran de votre Tour V5 affiche les indicateurs lumineux suivants (*consultez la représentation de l'affichage située à droite*) :

1. Cercle de visée (le réticule autour indique la transmission laser)
2. Niveau de charge des piles
3. Distance compensée (basée sur le mode Slope)
4. Inclinaison* (% de pente)
5. Distance de la ligne de mire
6. Cercle de l'indicateur Visual JOLT

*Modèle Shift uniquement



INDICATEUR DU NIVEAU DE CHARGE DE LA PILE

L'indicateur de pile (2) affiche le niveau de charge restant :

- Charge complète
- environ 2/3 d'autonomie restant
- environ 1/3 d'autonomie restant
- Indicateur de niveau de charge clignotant : la pile doit être remplacée pour que l'appareil puisse fonctionner.

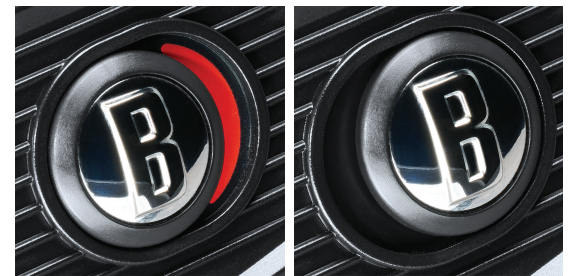
LASER ACTIF

Le réticule entourant le cercle de visée indique que le laser est transmis. Une fois la distance obtenue, vous pouvez relâcher le bouton Alimentation/Déclenchement. Le réticule disparaît dès que le bouton Alimentation/Déclenchement est relâché (c'est-à-dire lorsque le faisceau laser n'est plus transmis).

TECHNOLOGIE SLOPE SWITCH (MODÈLE TOUR V5 SHIFT N° 201910 UNIQUEMENT)

La technologie Slope Switch (commutateur Slope) permet au golfeur d'activer et de désactiver facilement le mode Slope breveté de Bushnell. Le golfeur peut ainsi utiliser le mode Slope afin d'obtenir les distances compensées sur le parcours quand il le souhaite, mais également d'avoir un appareil conforme aux règles de l'USGA en tournoi quand il en a besoin.

Lorsque le mode Slope est activé, en déplaçant le commutateur Slope situé sur le côté du Tour V5 Shift (modèle n° 201910) afin que l'indicateur rouge Slope soit visible (consultez la photo de droite), la technologie Slope brevetée de Bushnell s'affiche. Le mode Slope +/- calcule automatiquement une distance compensée par l'angle, en fonction de la distance et de la pente déterminées par le télémètre laser et l'inclinomètre intégré. Ces données sont ensuite associées à des formules algorithmiques internes, s'appuyant sur l'utilisation d'un club moyen et les trajectoires des balles. La distance compensée par l'angle fournit des indications sur la manière de jouer le coup (par exemple, augmenter la distance en cas de côte, diminuer la distance en cas de pente). Faites glisser le commutateur Slope vers la droite pour désactiver la fonction de mesure compensée de la pente, votre Tour V5 devient ainsi conforme à la règle 14-3 de l'USGA.



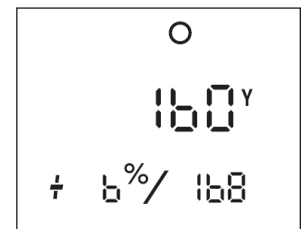
Mode Slope activé

Mode Slope désactivé

COMMENT UTILISER SLOPE +/-™ (MODÈLE TOUR V5 SHIFT N° 201910 UNIQUEMENT)

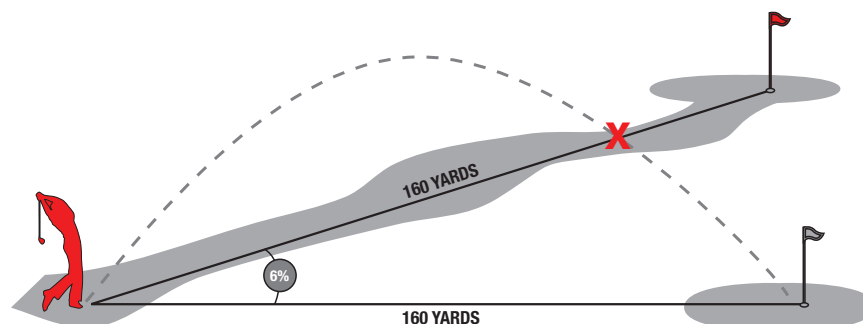
Déplacez le commutateur Slope sur la position « Slope On ». Vous verrez une deuxième ligne d'informations apparaître à l'écran, confirmant que vous êtes maintenant en mode Slope. Appuyez sur le bouton Alimentation/Déclenchement pour obtenir la distance du drapeau ou d'autres objets. Une fois la distance affichée, relâchez le bouton Alimentation/Déclenchement. Lorsque vous aurez relâché le bouton Alimentation/Déclenchement, un pourcentage et une distance compensée s'afficheront sous la distance standard, sur la seconde ligne de chiffres.

Par exemple, si la distance réelle est de 160 mètres, mais avec une inclinaison de +6 pour cent, la distance compensée par l'inclinaison (« compensée ») est de 168 mètres. L'écran affichera donc ceci (image de droite) :



L'AVANTAGE DE SLOPE +/-™ (TOUR V5 SHIFT)

La distance du drapeau noir du schéma (voir ci-dessous) est de 146 m (160 yards). Elle est également de 146 m (160 yards) jusqu'au drapeau rouge, bien que celui-ci soit situé sur une pente avec une inclinaison de 6 % (pente forte). Cependant, si un golfeur devait jouer ce trou à 146 m (160 yards), la balle (X) n'atteindrait pas le trou/drapeau car la pente n'a pas été prise en compte. En raison de la pente, ça devrait être joué comme un tir de 154 mètres (168 yards). Cette distance sera affichée en tant que distance compensée sous la distance de la ligne de mire.



RÉGLAGE DES UNITÉS DE DISTANCE / APERÇU DE JOLT

Pour sélectionner les unités de distance (yards <> mètres), appuyez sur Déclenchement/Alimentation (*droite*) pour allumer l'appareil, puis maintenez le bouton Y/M jusqu'à ce que les unités changent à l'écran.

Cela active également les indicateurs JOLT (vibration et affichage du cercle). Vous pouvez ainsi visualiser/tester l'effet de la technologie JOLT sans devoir utiliser le laser sur une cible.

ALIMENTATION/DÉCLENCHEMENT



Yards/mètres

SUPPORT MAGNÉTIQUE BITE

Le Tour V5 comporte un puissant aimant BITE incorporé au côté droit du réceptacle, permettant de fixer en toute sécurité l'appareil à une barre ou un cadre de voiturette de golf.

⚠ AVERTISSEMENT : la fonctionnalité BITE fournie avec l'appareil contient un aimant en néodyme. Les aimants peuvent affecter le fonctionnement des stimulateurs cardiaques et des défibrillateurs cardiaques implantés. Si vous utilisez ces appareils, maintenez une distance suffisante par rapport à l'aimant. Prévenez les autres personnes portant ces appareils de ne pas se tenir trop près des aimants.

- L'aimant peut définitivement perdre une partie de sa force d'adhérence s'il est exposé à des températures supérieures à 80 °C (175 °F).
- Les aimants produisent un champ magnétique puissant et de grande portée. Ils peuvent endommager les téléviseurs, les ordinateurs portables, les disques durs d'ordinateurs, les cartes de crédit et de guichet automatique, les supports de stockage de données, les montres mécaniques, les appareils auditifs et les haut-parleurs. Tenez l'appareil éloigné des dispositifs et objets susceptibles d'être endommagés par des champs magnétiques puissants.
- Les aimants ont de puissants champs magnétiques qui peuvent pincer la peau et les doigts. Soyez prudent lorsque vous fixez l'appareil à une barre métallique.



AIMANT BITE



Panier
Cadre

NETTOYAGE ET ENTRETIEN GÉNÉRAL

Les lentilles de votre télémètre laser Bushnell Tour V5 font l'objet d'un traitement multi-couches pour une transmission lumineuse maximale. Comme pour tout matériel optique multicouche, un soin particulier doit être apporté au nettoyage des lentilles. Suivez ces conseils pour un nettoyage approprié des lentilles :

- Retirez la poussière ou les débris situés sur les lentilles en soufflant dessus (ou en utilisant une brosse douce).
- Pour retirer les impuretés ou les traces de doigts, utilisez le chiffon en microfibre fourni et frottez avec un mouvement circulaire. L'utilisation d'un chiffon rêche ou un frottement trop marqué risquent de rayer la surface de la lentille et de l'endommager définitivement. Le chiffon en microfibre lavable fourni convient parfaitement au nettoyage régulier de votre matériel optique. Il suffit de souffler légèrement sur la lentille pour apporter un peu d'humidité, puis de frotter délicatement avec le chiffon en microfibre.
- Pour un nettoyage plus approfondi, vous pouvez également utiliser un tissu pour objectif photographique et du liquide de nettoyage pour lentille de type photographique, ou de l'alcool isopropylique. Appliquez toujours le liquide sur le chiffon, jamais directement sur la lentille.
- Le télémètre est étanche, mais ne doit pas être exposé à de fortes pluies ou à d'autres jets d'eau directs, et il ne résistera pas à une immersion dans de l'eau ou d'autres liquides.

⚠ MISE EN GARDE : Veillez à éviter la lumière directe du soleil dans l'oculaire afin de ne pas endommager l'écran / les composants internes. Lorsque vous utilisez l'aimant BITE pour fixer l'appareil à une barre ou un cadre de voiturette, inclinez l'appareil de manière à ce que l'oculaire soit dirigé vers le sol et non pointé vers le haut en direction du soleil. Lorsque vous n'utilisez pas l'appareil, veuillez le ranger dans l'étui pour une protection supplémentaire.

DÉPANNAGE

Ne démontez jamais votre télémètre laser. Une tentative de réparation non autorisée peut endommager l'appareil de manière irréparable, ce qui a pour effet d'annuler la garantie.

Si l'appareil ne se met pas en marche, l'écran ne s'allume pas :

- Appuyez sur le bouton Alimentation/Déclenchement.
- Vérifiez l'état de la pile et remplacez-la au besoin. Si l'appareil ne répond pas lorsque vous appuyez sur le bouton, remplacez la pile par une pile au lithium CR2 de 3 volts de bonne qualité.

Si l'appareil s'éteint (l'écran s'éteint lorsque vous tentez d'activer le laser) :

- La pile est presque déchargée ou de mauvaise qualité. Remplacez la pile par une nouvelle pile au lithium de 3 volts (CR2).

Si la distance de la cible ne peut pas être calculée :

- Assurez-vous que l'écran est allumé.
- Assurez-vous que le bouton Alimentation/Déclenchement est enfoncé.
- Assurez-vous que rien (votre main ou votre doigt) n'obstrue les lentilles (les plus proches de la cible) qui émettent et reçoivent les impulsions laser.
- Assurez-vous que l'appareil ne bouge pas lorsque vous appuyez sur le bouton Alimentation/Déclenchement.

REMARQUE : il n'est pas nécessaire d'effacer la dernière distance affichée avant de viser une autre cible. Il suffit de viser une nouvelle cible à l'aide du réticule de l'écran et de maintenir le bouton Alimentation/Déclenchement enfoncé jusqu'à ce que la nouvelle distance apparaisse.

Caractéristiques techniques

Dimensions	2,54 cm x 10,16 cm x 7,62 cm (1,5 x 4,25 x 3 pouces)
Poids	227 grammes
Précision de télémétrie	Précis à +/- 0,91 mètre (1 yard)
Distance	De 5 à 1189 mètres (de 5 à 1300 yards)
Grossissement	6x
Diamètre de l'objectif	22 mm
Revêtements optiques	Entièrement multicouches
Affichage	LCD avec cercle de l'indicateur Jolt
Source d'alimentation	Pile lithium 3 volts (CR-2)
Champ de vision	De 100 à 1000 mètres (de 300 pieds à 1000 yards)
Extra-long tirage d'anneau	13 mm
Pupille de sortie	3,5 mm
Éléments inclus	Mallette de transport de qualité supérieure et pile CR2



AVERTISSEMENT : ce produit utilise une pile à base de lithium. Les piles au lithium peuvent surchauffer et causer des dommages en cas de mauvaise utilisation. N'utilisez pas de pile endommagée ou présentant des signes d'usure.

Déclaration de conformité FCC

Cet appareil est conforme à l'alinéa 15 de la réglementation FCC. Son fonctionnement est sujet aux deux conditions suivantes : (1) cet appareil ne doit pas causer d'interférences nuisibles, et (2) cet appareil doit accepter toute interférence reçue, y compris celles pouvant provoquer un fonctionnement non souhaité.

Cet équipement a été testé et s'est avéré conforme aux limites du dispositif numérique de classe B, en vertu de l'alinéa 15 de la réglementation FCC. Ces limites sont conçues afin de fournir une protection raisonnable contre les interférences dans une installation résidentielle.

Cet équipement génère, utilise et peut émettre une énergie de radiofréquence et peut, s'il n'est pas installé et utilisé selon les consignes, causer des interférences nuisibles aux communications radio. Toutefois, aucune garantie n'existe prouvant que les interférences ne se produiront pas dans une installation particulière.

Si cet équipement provoque des interférences nocives à la réception radio ou télévisuelle, qui peuvent être déterminées en éteignant puis rallumant l'équipement, nous encourageons l'utilisateur à essayer de corriger l'interférence par l'une ou plusieurs des mesures suivantes :

- Réorienter ou repositionner l'antenne de réception.
- Augmenter la distance entre l'équipement et le récepteur.
- Branchez l'équipement dans une prise de courant se trouvant sur un circuit électrique autre que celui auquel le récepteur est branché.
- Contacter le revendeur ou faire appel à un technicien spécialisé en radio/télévision pour obtenir de l'aide.



L'étiquette explicative apparaît uniquement ici dans le manuel de l'utilisateur en raison de contraintes d'espace.

Notes de service :

- Le consommateur peut retirer le couvercle de la pile pour la remplacer.
- Ce produit ne contient aucun composant susceptible d'être réparé par l'utilisateur.
- Ce produit ne doit pas être ouvert ou modifié par le consommateur.
- Ce produit doit être retourné au fabricant pour réparation.

Coordonnées : **Bushnell Holdings, Inc.**

9200 Cody, Overland Park KS 66214



SÉCURITÉ FDA

Conforme aux normes 21CFR1040.10 et 1040.11, à l'exception de la conformité avec la norme IEC60825-1 Ed.3., comme décrit dans le document « Laser Notice 56 » du 8 mai 2019.

Mise en garde : L'utilisation de commandes ou d'ajustements des performances ou des procédures autres que ceux spécifiés dans le présent document peut entraîner une exposition dangereuse aux radiations.

Déclaration d'Industrie Canada :

Le présent appareil est conforme aux CNR d'ISED applicables aux appareils radio exempts de licence. Son fonctionnement est sujet aux deux conditions suivantes : (1) le présent appareil ne peut pas causer d'interférences nuisibles, et (2) le présent appareil doit accepter toute interférence reçue, notamment celles pouvant causer un fonctionnement non souhaité.

Le présent appareil est conforme aux CNR d'ISED applicables aux appareils radio exempts de licence. L'exploitation est autorisée aux deux conditions suivantes: (1) le dispositif ne doit pas produire de brouillage préjudiciable, et (2) ce dispositif doit accepter tout brouillage reçu, y compris un brouillage susceptible de provoquer un fonctionnement indésirable.

Radiation Exposure Statement / Déclaration d'exposition aux radiations :

Cet appareil est conforme à la limite d'exposition aux radiofréquences portables fixée par Industrie Canada définie pour un environnement non contrôlé et est sans danger pour le fonctionnement prévu, tel que décrit dans ce manuel. Une réduction supplémentaire de l'exposition RF peut être obtenue si le produit peut être maintenu aussi loin que possible du corps de l'utilisateur, ou si l'appareil est réglé sur une puissance de sortie inférieure si une telle fonction est disponible.

Le produit est conforme aux limites d'exposition pour les appareils portables RF pour les États-Unis et le Canada établies pour un environnement non contrôlé.

Le produit est sûr pour un fonctionnement tel que décrit dans ce manuel. La réduction aux expositions RF peut être augmentée si l'appareil peut être conservé aussi loin que possible du corps de l'utilisateur ou que le dispositif est réglé sur la puissance de sortie la plus faible si une telle fonction est disponible.

<http://patents.vistaoutdoor.com>

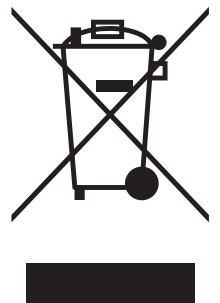
Élimination du matériel électrique et électronique

(En vigueur dans les pays de l'UE et d'autres pays européens avec des systèmes de collecte distincts)

Cet équipement contient des pièces électriques ou électroniques, et par conséquent, il ne doit pas être éliminé comme les déchets ménagers normaux. Il doit à la place être mis au rebut dans les points de collecte désignés à des fins de recyclage mis à la disposition par votre collectivité. Pour vous, ceci est gratuit.

Si le matériel contient des batteries rechargeables, celles-ci doivent être retirées avant et si nécessaire, éliminées ensuite conformément à la réglementation en vigueur (voir également les commentaires correspondants fournis dans les instructions fournies dans cette rubrique).

Plus d'informations sur le sujet sont disponibles auprès des services administratifs de votre communauté, votre entreprise locale de collecte de déchets ou dans le magasin où vous avez acheté cet appareil.



GARANTIE LIMITÉE DE 2 ANS

Votre télémètre laser pour golf Bushnell® est garanti exempt de défauts matériels et de main-d'œuvre pendant deux ans à compter de la date d'achat. En cas de défaillance durant la période de garantie, nous réparons ou remplaçons le produit, à nos frais, sous réserve que vous le retourniez accompagné des frais de port prépayés. Cette garantie ne couvre pas les dommages causés par une mauvaise utilisation, une manipulation incorrecte, une mauvaise installation ou un mauvais entretien effectués par une personne autre qu'un service d'entretien agréé Bushnell.

Tout retour effectué en vertu de cette garantie doit être accompagné des éléments suivants :

1. Un chèque / mandat-poste d'un montant de 10,00 \$ pour couvrir les frais d'affranchissement et de manutention
2. Un nom, une adresse et un numéro de téléphone pour le retour du produit.
3. Une explication de la défaillance.
4. Une copie de votre preuve d'achat datée.

N'envoyez aucun accessoire (piles, étui, sangle, etc.), mais uniquement le produit à réparer.

Le produit doit être bien emballé dans un solide carton afin d'éviter tout dommage durant le transit et doit être expédié à l'adresse suivante :

AUX ÉTATS-UNIS, envoyer à :
Bushnell® Outdoor Products
Attn. : Repairs
9200 Cody
Overland Park, Kansas 66214

AU CANADA, envoyer à :
Bushnell® Outdoor Products
Attn. : Repairs
140 Great Gulf Drive, Unit B
Vaughan, Ontario L4K 5W1

Pour les produits achetés en dehors des États-Unis ou du Canada, veuillez contacter votre revendeur local pour connaître les informations de garantie applicables.

Cette garantie vous octroie des droits spécifiques.
Vous pouvez avoir d'autres droits qui varient d'un pays à l'autre.
©2020 Bushnell® Outdoor Products

Felicidades por mejorar tu juego con "BITE" con la compra del telémetro láser Tour V5 de Bushnell®. El Tour V5 es un instrumento óptico de precisión de telemetría láser diseñado para garantizar muchos años de diversión. Esta guía del propietario te ayudará a conseguir un rendimiento óptimo explicando sus características y su funcionamiento, así como el cuidado de tu telémetro. Para garantizar un rendimiento óptimo y la máxima longevidad, lee estas instrucciones antes de utilizar tu telémetro láser Tour V5.

⚠ ADVERTENCIA: al igual que con cualquier dispositivo láser, no se recomienda mirar directamente hacia el haz emitido durante largos periodos de tiempo con lentes de ampliación.

INTRODUCCIÓN

Tu Bushnell® Tour V5 es un avanzado telémetro láser de primera categoría compuesto por tecnología digital y procesadores turbo que permiten lecturas de rango de 5 a 1.300 yardas/5 a 1.189 metros. El Tour V5 ofrece una captación extremadamente rápida y una precisión de +/- 1 metro.

El Tour V5 cuenta con la tecnología PinSeeker™ con JOLT, que permite al golfista marcar la bandera como referencia de forma fácil y rápida, sin adquirir los objetivos del fondo, y con una excelente calidad óptica. JOLT se ha mejorado con el nuevo "JOLT visual". Ahora parpadea un anillo rojo mientras vibra JOLT, para dar al golfista una mayor información y la confianza de saber que se ha fijado en la bandera.

También es nuevo en el Tour V5 el exclusivo soporte magnético BITE de Bushnell, que permite montar fácilmente el Tour V5 en la barra del carro.

Guía de piezas

1. Imán BITE
(consulta la foto insertada)
2. Interruptor de yardas/metros
3. Botón de encendido/disparo
4. Marcador de dioptrías del ocular
5. Compartimento de la batería
6. Interruptor de pendiente
(modelo de cambio solamente)



CÓMO FUNCIONA NUESTRA TECNOLOGÍA DIGITAL

El Tour V5 emite impulsos de energía infrarroja invisibles y seguros para la vista. El microprocesador digital avanzado del Tour V5 y el chip ASIC (circuito integrado de aplicación específica) producen lecturas instantáneas y precisas en todo momento. La tecnología digital sofisticada calcula instantáneamente las distancias midiendo el tiempo que tarda cada impulso en ir y volver desde el telémetro hasta el objetivo y viceversa.

RANGO DE PRECISIÓN

El rango de precisión del Tour V5 es de más o menos una yarda/metro en la mayoría de las circunstancias. El alcance máximo del instrumento depende de la reflectividad del objetivo. El Tour V5 llegará a una bandera de golf a 400 yardas/366 metros, mientras que para los objetos altamente reflectantes el máximo es de 1.300 yardas/1.189 metros.

**Nota: puedes conseguir distancias máximas mayores o menores según las propiedades de reflexión de cada objetivo en particular y las condiciones ambientales en el momento de medir la distancia hasta un objeto. Tanto el color como el acabado superficial, el tamaño y la forma del objetivo afectan a la reflectividad y a la distancia. Cuanto mayor sea la reflectividad del objetivo, mayor será el alcance. Por ejemplo, un objeto blanco o plateado es muy reflectante y permite distancias más largas que el color negro, que es el color menos reflectante. Un acabado brillante o lustroso proporciona un mayor alcance que uno mate. Cuanto más pequeño sea el objetivo, más difícil será de medir. El ángulo respecto al objetivo también afecta a la medición. Disparar a un objetivo en un ángulo de 90 grados (de modo que la superficie del objetivo sea perpendicular a la trayectoria de los impulsos de energía emitidos) proporciona un buen rango, mientras que un ángulo pronunciado proporciona un rango limitado. Además, las condiciones de iluminación (por ejemplo, la cantidad de luz solar) afectarán a la capacidad de rango de la unidad. Cuanta menos luz haya (por ejemplo, cielos nublados), mayor será el rango máximo de la unidad. Por el contrario, en días muy soleados disminuirá el rango máximo de la unidad.*

ACTIVAR/SUSTITUIR LA BATERÍA

Retira la tapa de la batería levantando la lengüeta de la tapa y girando esta en sentido contrario a las agujas del reloj hasta que quede suelta. Levanta la tapa y ponla a un lado.

ACTIVAR LA BATERÍA INSTALADA: tu nuevo Tour V5 lleva preinstalada una batería CR2. Antes de usar el telémetro, quita la tapa de la batería como se ha descrito anteriormente. Retira el disco protector de plástico rojo (consulta la foto de la derecha) de la parte superior de la batería y vuelve a colocar la tapa de la misma.

REEMPLAZAR UNA BATERÍA BAJA: inserta una nueva batería de litio CR2 de tres voltios en el extremo positivo del compartimento primero (el extremo negativo "plano" orientado hacia la cubierta de la batería) y luego vuelve a colocar la cubierta de la batería. Nota: se recomienda sustituir la batería al menos una vez cada seis meses.



FUNCIONAMIENTO BÁSICO

1. Mientras mira a través del Tour V5, presiona el botón de encendido/disparo una vez para activar la pantalla. Si los iconos de la pantalla y los números están borrosos, gira el ocular en cualquier dirección hasta que estén enfocados (consulta "Ajuste del ocular" a continuación).
2. Colocando el círculo de puntería (centro de la pantalla) sobre un objetivo a por lo menos cinco yardas de distancia, mantén pulsado el botón de encendido/disparo hasta que la distancia de la "línea de visión" se muestre cerca de la parte inferior de la pantalla (consulta "Indicadores de la pantalla" a continuación). Las cruceitas que rodean el círculo de la diana indican que el láser se está transmitiendo.
3. Después de que se haya adquirido y visualizado un rango, puedes soltar el botón de encendido/disparo. Las cruceitas que rodean el círculo de la diana desaparecerán una vez que se haya soltado el botón de disparo (es decir, el láser ya no se transmite).
4. Una vez activada, la pantalla permanecerá activa y mostrará la última medición de distancia durante diez segundos. Puedes presionar el botón de encendido/disparo de nuevo en cualquier momento para determinar la distancia a un nuevo objetivo. El tiempo máximo durante el que se transmite el láser (activo) es de cinco segundos. Para volver a disparar, pulsa de nuevo el botón.

USAR PINSEEKER™ CON JOLT® VISUAL

La exclusiva característica de Bushnell Pinseeker™ permite un objetivo fiable de la bandera sin alcanzar inadvertidamente distancias a grandes objetivos de fondo (es decir, árboles) que tienen una mayor fuerza de señal.

Cuando se alcance tu objetivo, si el rayo láser reconoció más de un objeto (por ejemplo, la bandera y un grupo de árboles detrás de ella), solo se mostrará la distancia al objeto más cercano (la bandera). La tecnología JOLT proporciona dos ráfagas cortas de vibración para confirmar que la distancia mostrada es a la bandera, y el anillo rojo (indicador de JOLT visual) alrededor del borde exterior de la pantalla se activa, lo que confirma que el láser ha alcanzado el objetivo correcto a través de Pinseeker.

Puede haber momentos en los que el rayo láser vea únicamente un objeto en su trayectoria. En este caso, se mostrará la distancia, pero como no se adquirió más de un objeto, no se proporcionará la indicación JOLT.

CONSEJO: mientras presionas el botón de encendido/disparo, puedes mover el dispositivo lentamente de un objeto a otro y forzar intencionadamente el láser para que alcance varios objetos con el fin de asegurarte de que solo se está mostrando el más lejano de los objetos reconocidos por el láser. Cuando el dispositivo se apaga, la unidad siempre vuelve por defecto al último modo utilizado.

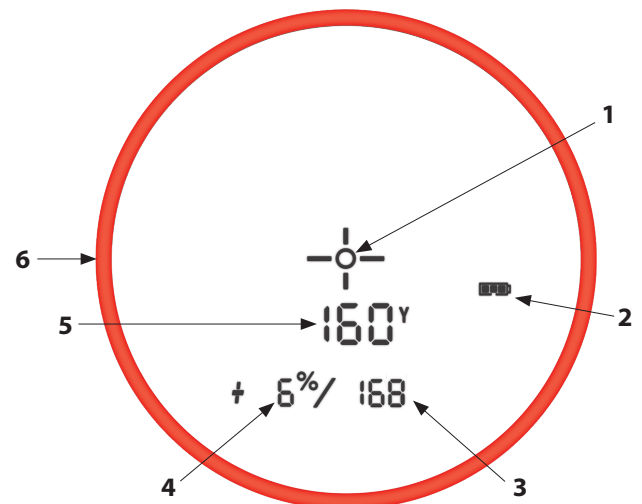
AJUSTE DEL VISOR

El Tour V5 está equipado con un ocular ajustable de enfoque rápido (ajuste de +/- 3,5 dioptrías) que permite enfocar los datos e iconos mostrados en relación con la imagen contemplada desde la óptica monocular. Simplemente gira el ocular hasta que la pantalla esté enfocada.

INDICADORES DE LA PANTALLA

La pantalla de tu Tour V5 incorpora los siguientes indicadores (consulta la imagen de la pantalla a la derecha):

1. Círculo de puntería
(los puntos de mira circundantes indican la transmisión del láser)
2. Nivel de la batería
3. Distancia "Jugar como"* (basado en la pendiente)
4. Pendiente* (porcentaje de grado)
5. Distancia de la línea visual
6. Anillo indicador JOLT visual
*Cambiar modelo solamente



INDICADOR DE NIVEL DE BATERÍA

El indicador de batería (2) muestra el nivel de energía restante:

- Carga completa
- 2/3 de duración de la batería restante
- 1/3 de duración de la batería restante
- El indicador de batería parpadea: es necesario reemplazar la batería y la unidad no se podrá utilizar.

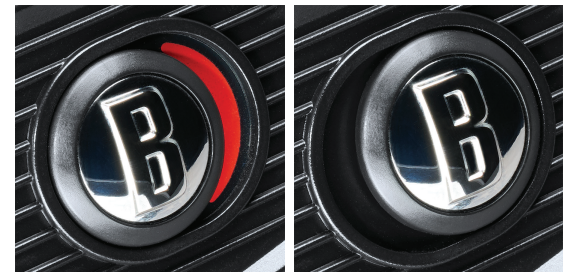
LÁSER ACTIVO

Las crucetas que rodean el círculo de la diana indican que el láser se está transmitiendo. Una vez que se ha detectado un rango, puedes soltar el botón de encendido/disparo. Las crucetas que rodean el círculo desaparecerán una vez que se haya soltado el botón de encendido/disparo (es decir, el láser ya no se transmite).

TECNOLOGÍA DE CAMBIO DE PENDIENTE (NÚMERO DE MODELO DE CAMBIO TOUR V5 201910 SOLAMENTE)

La tecnología de cambio de pendiente permite al golfista activar y desactivar fácilmente la función de pendiente patentada por Bushnell. Esto permite al golfista utilizar convenientemente la pendiente para obtener distancias compensadas alrededor del campo cuando lo desee y tener un dispositivo conforme a la USGA que sea legal para jugar torneos cuando lo necesite.

Cuando se activa la pendiente deslizando el interruptor de pendiente del cambio de Tour V5 (número de modelo 201910) a la izquierda para que el indicador rojo de pendiente sea visible (consulta la foto a la derecha), se muestra la tecnología de pendiente patentada por Bushnell. El modo +/- pendiente calculará automáticamente un rango compensado de ángulo basado en la distancia y la pendiente determinadas por el telémetro láser y el inclinómetro incorporado. Estos datos se combinan con fórmulas algorítmicas internas que abordan las trayectorias de las pelotas y el uso del club promedio. El rango de ángulo compensado proporciona orientación sobre cómo jugar el golpe (es decir, añadir distancia si el plano es inclinado, restar distancia si es un declive). Desliza el interruptor de pendiente a la derecha, y tu Tour V5 ahora cumple con la regla 14-3 de la USGA, con la característica de alcance compensado por pendiente eliminada.



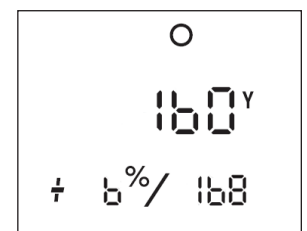
Pendiente encendida

Pendiente apagada

CÓMO USAR SLOPE +/-™ (SOLO MODELO TOUR V5 SHIFT Nº 201910)

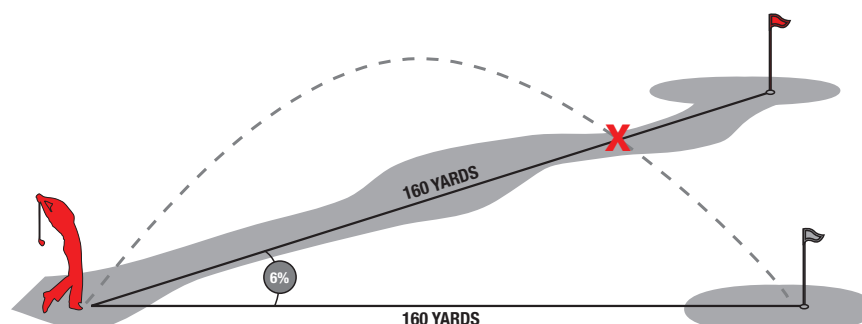
Mueve el interruptor de pendiente a la posición "Pendiente activada". Verás que aparece una segunda fila de información en la pantalla, que confirma que ahora estás en el modo pendiente. Presiona el Botón de encendido/disparo para obtener la distancia a la bandera u otros objetos. Una vez que se muestre el rango, suelta el botón de encendido/disparo. Una vez que hayas soltado el botón de encendido/disparo, un porcentaje de grado y rango compensado se mostrará debajo de la distancia estándar en la segunda fila de números.

Por ejemplo, si la distancia verdadera es de 160 yardas, pero con una pendiente de +6 por ciento, el alcance de la pendiente compensada ("jugar como") es de 168 yardas. La pantalla mostraría esto (derecha):



LA VENTAJA DE PENDIENTE +/-™ (CAMBIO DE TOUR V5)

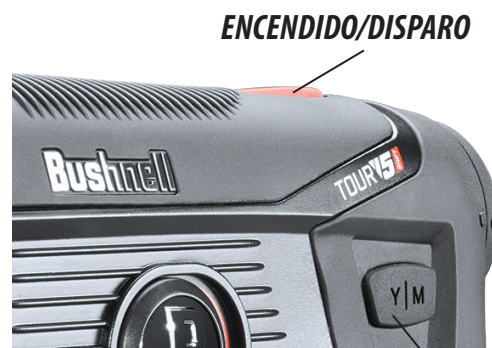
La distancia a la bandera negra en el dibujo (consulta a continuación) es de 160 yardas. También se encuentra a 160 metros de la bandera roja, aunque está en una pendiente con un 6% de inclinación (cuesta arriba). Sin embargo, si un golfista jugara este hoyo a 160 yardas, la bola (X) se quedaría corta del hoyo/bandera si no se tiene en cuenta la pendiente. Debido a la pendiente, debería jugarse como un tiro de 168 yardas. Esto se mostrará como la distancia "jugar como" por debajo de la distancia de la línea de visión.



AJUSTE DE LAS UNIDADES DE DISTANCIA/VISTA PREVIA DE JOLT

Para seleccionar las unidades de distancia (yardas<>metros), presiona Disparo/Encendido (*derecha*) para encender la unidad, luego mantenga el botón Y/M hasta que las unidades cambien en la pantalla.

Esto también activa los indicadores de JOLT (vibración y anillo visual en la pantalla), lo que te permite tener una vista previa/demostración del efecto de la tecnología JOLT sin necesidad de disparar el láser a un objetivo.



Yardas/metros

SOPORTE MAGNÉTICO BITE

El Tour V5 cuenta con un poderoso imán BITE incorporado en el lado derecho de la carcasa, que permite que el dispositivo se fije de forma segura a una barra o marco de un carrito de golf.

AVISO: la función Bite incluida en el dispositivo contiene un imán de neodimio. Los imanes podrían afectar al funcionamiento de los marcapasos y los desfibriladores cardíacos implantados. Si usas estos dispositivos, mantente a una distancia suficiente del imán. Advierte a otras personas que usen estos dispositivos que no se acerquen demasiado a los imanes.

- El imán puede perder parte de su fuerza adhesiva permanentemente si se expone a temperaturas superiores a 175°F (80°C).
- Los imanes producen un intenso campo magnético de gran alcance. Podrían dañar televisores y ordenadores portátiles, discos duros de ordenador, tarjetas de crédito y ATM, medios de almacenamiento de datos, relojes mecánicos, audífonos y altavoces. Mantén la unidad alejada de dispositivos y objetos que puedan dañarse por campos magnéticos intensos.
- Los imanes tienen fuertes campos magnéticos que pueden pellizcar la piel y los dedos. Ten cuidado al conectar la unidad a una barra de metal.
-



IMÁN BITE



Carro Marco

LIMPIEZA Y CUIDADO GENERAL

Las lentes de tu telémetro láser Tour V5 de Bushnell tienen corrección múltiple total para la máxima transmisión de luz. Al igual que con cualquier producto óptico de corrección múltiple, se debe tener especial cuidado al limpiar las lentes. Sigue estos consejos para una limpieza adecuada de las lentes:

- Sopla cualquier polvo o suciedad que haya en la lente (o usa un cepillo suave para lentes).
- Para eliminar la suciedad o las huellas de dedos, límpialo con el paño de microfibra lavable, frotando con un movimiento circular. Si utilizas un paño áspero o frotas demasiado, puedes arañar la superficie de la lente y, tal vez, causar un daño permanente. El paño de microfibra lavable que se suministra es idóneo para una limpieza habitual de tu producto óptico. Simplemente echa el aliento sobre la lente para humedecerla y frótala suavemente la lente con el paño de microfibra.
- Para una limpieza más a fondo, se puede usar algún tejido para lentes fotográficas con un líquido de limpieza de lentes de tipo fotográfico o alcohol isopropílico. Aplica siempre el líquido al paño de limpieza, nunca directamente sobre la lente.
- El telémetro es resistente al agua, pero no debe exponerse a lluvias intensas ni a otras corrientes directas de agua, y no resistirá la inmersión en agua u otros líquidos.

PRECAUCIÓN: ten cuidado de evitar que la luz del sol entre directamente en el ocular para evitar que se dañe la pantalla o los componentes internos. Cuando utilices el imán BITE para fijar el dispositivo a una barra o armazón de carro, inclina el dispositivo de manera que el ocular esté orientado hacia el suelo, no apuntando hacia el sol. Cuando no estés usando el dispositivo, guárdalo en el estuche para mayor protección.

RESOLUCIÓN DE PROBLEMAS

Nunca desmontes tu telémetro láser. Los intentos de mantenimiento no autorizados pueden producir daños irreparables, lo que a su vez anula la garantía.

Si la unidad no se enciende, la pantalla no se enciende:

- Presiona el botón de Encendido/Disparo.
- Comprueba y, si es necesario, sustituye la batería. Si la unidad no responde cuando se pulsa el botón, sustituye la batería con una batería de litio CR2 de 3 voltios de buena calidad.

Si la unidad se apaga (la pantalla se apaga al tratar de encender el láser):

- La batería es débil o de baja calidad. Sustituye la batería por una batería (CR2) de litio nueva de 3 voltios.

Si no es posible determinar la distancia de un objetivo:

- Comprueba que la pantalla esté iluminada.
- Asegúrate de presionar el botón de Encendido/Disparo.
- Asegúrate de que nada, como la mano o los dedos, bloquee las lentes del objetivo (lentes más cercanas al objetivo) que transmiten y reciben los pulsos de láser.
- Asegúrate de mantener la unidad estable mientras presiona el botón de Encendido/Disparo.

NOTA: No es necesario borrar la última lectura de distancia para medir la distancia hasta otro objetivo. Simplemente apunta al nuevo objetivo usando el retículo de la pantalla, presiona el botón de encendido/disparo y mantenlo hasta que se muestre la nueva lectura de rango.

Especificaciones técnicas

Dimensiones	1,5 x 4,25 x 3 pulgadas
Peso	8 onzas
Rango de exactitud	Precisión de +/- 1 metro
Rango	5 a 1.300 yardas/5 a 1.189 metros
Aumento	6x
Diámetro del objetivo	22 mm
Revestimiento óptico	Completamente multicapa
Muestra	LCD con anillo indicador Jolt iluminado.
Fuente de alimentación	Litio de 3 voltios (CR-2)
Campo de visión	300 pies a 1.000 yardas/100 metros a 1.000 metros
Descanso visual extralargo	13 mm
Pupila de salida	3,5 mm
Artículos incluidos	Estuche de transporte de primera calidad y batería CR2

 **AVISO:** este producto utiliza una batería de litio. Las baterías de litio pueden sobrecalentarse y provocar daños si no se tratan correctamente. No utilices baterías dañadas o con signos de desgaste físico.

Declaración de la FCC

Este dispositivo cumple con la parte 15 de las normas de la FCC. Su utilización está sujeta a las siguientes dos condiciones: (1) este dispositivo no puede causar interferencias perjudiciales y (2) este dispositivo debe aceptar cualquier tipo de interferencia que reciba, incluidas las que puedan causar un funcionamiento no deseado.

Este equipo se ha probado y se ha determinado que cumple con los límites de un dispositivo digital de clase B, de acuerdo con la parte 15 de las normas de la FCC. Estos límites están diseñados para proporcionar una protección razonable frente a interferencias nocivas en una instalación residencial.

Este equipo genera, utiliza y puede irradiar energía de radiofrecuencia y, si no se instala y utiliza de acuerdo con las instrucciones, puede causar interferencias perjudiciales para las comunicaciones de radio. Sin embargo, no existe ninguna garantía de que no se produzcan interferencias en una determinada instalación.

Si este equipo llega a causar interferencias indeseables en la recepción de radio o televisión, lo cual se puede determinar apagando y encendiendo el equipo, se recomienda al usuario que trate de corregir la interferencia tomando una o más de las siguientes medidas:

- Reorientar o reubicar la antena receptora.
- Aumentar la separación entre el equipo y el receptor.
- Conectar el equipo en una toma de corriente de un circuito diferente al que está conectado el receptor.
- Consultar al distribuidor o a un técnico de radio/televisión experimentado en busca de ayuda.



La etiqueta explicativa solo aparece aquí en el manual de usuario debido a las limitaciones de espacio.

Notas de mantenimiento:

- El consumidor puede retirar la tapa de la batería para reemplazarla.
- Este producto no contiene elementos de control reparables por el usuario.
- Este producto no se debe abrir ni modificar por parte del consumidor.
- Este producto debe devolverse al fabricante para su reparación.

Contacto: Bushnell Holdings, Inc.

9200 Cody, Overland Park KS 66214



SEGURIDAD CONFORME A LA FDA

Cumple con 21CFR1040.10 y 1040.11 excepto por la conformidad con IEC60825-1 Ed.3., como se describe en el Aviso de Láser 56, de fecha 8 de mayo de 2019

Precaución: el uso de controles o ajustes o la aplicación de procedimientos distintos de los especificados en el presente documento puede dar lugar a una exposición peligrosa a la radiación.

Declaración de Canadá Industria:

Este dispositivo cumple con los RSS exentos de licencia de la ISED. Su manejo está sujeto a las siguientes dos condiciones: (1) este dispositivo no puede causar interferencias dañinas y (2) este dispositivo debe aceptar cualquier interferencia que reciba, incluidas aquellas que pueden causar un funcionamiento no deseado.

Le présent appareil est conforme aux CNR d'ISED applicables aux appareils radio exempts de licence. L'exploitation est autorisée aux deux conditions suivantes: (1) le dispositif ne doit pas produire de brouillage préjudiciable, et (2) ce dispositif doit accepter tout brouillage reçu, y compris un brouillage susceptible de provoquer un fonctionnement indésirable.

Declaración de exposición a la radiación/Déclaration d'exposition aux radiations:

Este dispositivo cumple con el límite de exposición a radiofrecuencia portátil de Canadá Industria establecido para un entorno no controlado y es seguro para el funcionamiento previsto, tal y como se describe en este manual. Se puede lograr una mayor reducción de la exposición a la radiofrecuencia si el producto se mantiene lo más alejado posible del cuerpo del usuario o si el dispositivo está configurado con una potencia de salida inferior si se dispone de tal función.

Le produit est conforme aux limites d'exposition pour les appareils portables RF pour les Etats-Unis et le Canada établies pour un environnement non contrôlé.

Le produit est sûr pour un fonctionnement tel que décrit dans ce manuel. La réduction aux expositions RF peut être augmentée si l'appareil peut être conservé aussi loin que possible du corps de l'utilisateur ou que le dispositif est réglé sur la puissance de sortie la plus faible si une telle fonction est disponible.

<http://patents.vistaoutdoor.com>

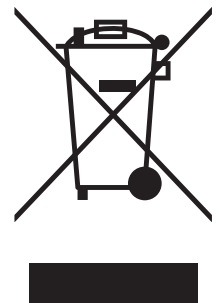
Eliminación de equipos electrónicos y eléctricos

(Aplicable en la UE y en otros países europeos con sistemas de recogida selectiva)

Este equipo incluye piezas eléctricas o electrónicas y, por lo tanto, no se puede eliminar como los residuos domésticos normales. Debe eliminarse en los puntos de reciclaje correspondientes proporcionados por las comunidades. Para ti, esto no conlleva ningún cargo.

Si el equipo contiene baterías intercambiables (recargables), estas también se deben retirar antes y, si es necesario, a su vez se deben desechar de acuerdo con los reglamentos pertinentes (consulta también los comentarios respectivos en las instrucciones de esta unidad).

Hay más información disponible sobre este tema en la administración de su ciudad, la empresa de recogida de residuos o en la tienda donde compró este equipo.



GARANTÍA LIMITADA DE DOS AÑOS

Tu telémetro láser de golf Bushnell® está garantizado contra defectos de materiales y mano de obra durante dos años a partir de la fecha de compra. En caso de defecto bajo esta garantía, a tu elección, repararemos o sustituiremos el producto, siempre que devuelvas el producto a portes pagados. Esta garantía no cubre los daños causados por el mal uso, la manipulación indebida, la instalación o el mantenimiento proporcionado por alguien que no sea el departamento de mantenimiento autorizado de Bushnell®.

Cualquier devolución que se haga bajo garantía deberá ir acompañada de los elementos que se enumeran a continuación:

1. Un cheque/giro postal por la cantidad de 10,00 \$ para cubrir los gastos de envío.
2. Nombre, dirección y número de teléfono personal para devolver el producto.
3. Una explicación del defecto.
4. Copia de tu factura de compra con fecha.

No envíes los accesorios (baterías, estuche, correa, etc.), solo el producto para su reparación.

El producto debe empaquetarse bien en una caja resistente para evitar daños durante el transporte y debe enviarse a la dirección que se indica a continuación:

En EE. UU., enviar a:

Bushnell® Outdoor Products
A la atención de: Reparaciones
9200 Cody
Overland Park, Kansas 66214

En Canadá, enviar a:

Bushnell® Outdoor Products
A la atención de: Reparaciones
140 Great Gulf Drive, Unidad B
Vaughan, Ontario L4K 5W1

Para los productos adquiridos fuera de Estados Unidos o Canadá, ponte en contacto con tu distribuidor local para obtener información sobre la garantía aplicable.

Esta garantía te otorga derechos legales específicos.
Es posible que tengas otros derechos que varíen de un país a otro.
©2020 Bushnell® Outdoor Products

Wir freuen uns, dass Sie Ihr Spiel mit dem Kauf des Bushnell® Tour V5 Laser-Entfernungsmessers verbessern möchten. Der Tour V5 ist ein optisches Präzisionsinstrument zur Laser-Entfernungsmessung, mit dem Sie viele Jahre Freude haben werden. Dieses Benutzerhandbuch hilft Ihnen dabei, eine optimale Leistung zu erzielen. Funktionen und Handhabung werden erklärt, ebenso wie die Pflege Ihres Entfernungsmessers. Um eine optimale Leistung und Langlebigkeit zu gewährleisten, lesen Sie sich bitte diese Anweisungen vor der Verwendung Ihres Tour V5 durch.

! WARNUNG: Wie bei jedem Lasergerät ist es nicht empfehlenswert, über einen längeren Zeitraum mit Vergrößerungslinsen direkt in den Laserstrahl zu schauen.

EINFÜHRUNG

Ihr Bushnell® Tour V5 ist ein fortschrittlicher Premium-Laser-Entfernungsmesser mit digitaler Technologie und Turbo-Prozessoren, der Entfernungsmessungen von 5-1300 Yards/5-1189 Meter ermöglicht. Der Tour V5 bietet eine extrem schnelle Erfassung und eine Genauigkeit von +/- 1 Yard (91 cm).

Der Tour V5 verfügt über die PinSeeker™-Technologie mit JOLT, die es dem Golfer ermöglicht, die Entfernung zur Fahne schnell und einfach zu messen, ohne Hintergrundziele zu erfassen - und das mit einer hervorragenden optischen Qualität. JOLT wurde weiterentwickelt und beinhaltet nun das neue „Visual JOLT“. Ein roter Ring blinkt nun, während JOLT vibriert, um Golfen noch mehr Feedback und Sicherheit zu geben, dass die Fahne anvisiert ist.

Ebenfalls neu beim Tour V5 ist die exklusive BITE-Magnethalterung von Bushnell, mit der Sie den Tour V5 einfach direkt an einer Stange des Golfmobils befestigen können.

Einzelteile

1. BITE-Magnet (siehe Foto)
2. Yard-/Meter-Schalter
3. Einschalt-/Feuerknopf
4. Dioptrienausgleich am Okular
5. Batteriefach
6. Slope-Schalter (nur beim Shift-Modell)



SO FUNKTIONIERT UNSERE DIGITALTECHNOLOGIE

Der Tour V5 sendet unsichtbare, für die Augen sichere Infrarot-Energieimpulse aus. Der fortschrittliche digitale Mikroprozessor und der ASIC-Chip (anwendungsspezifische integrierte Schaltung) des Tour V5 ermöglichen jedes Mal sofortige und genaue Messwerte. Die komplexe Digitaltechnologie berechnet die Entfernungen sofort, indem sie die Zeit misst, die jeder Impuls benötigt, um vom Entfernungsmesser zum Ziel und zurück zu gelangen.

GENAUIGKEIT DER ENTFERNUNGSBESTIMMUNG

Die Genauigkeit der Entfernungsmessung des Tour V5 beträgt in den meisten Fällen +/- 1 Yard/Meter. Die maximale Reichweite des Instruments hängt von der Reflektivität des Ziels ab. Der Tour V5 erfasst die Reichweite von Golffahnen bis zu 400 Yards/366 Meter, bei stark reflektierenden Objekten liegt die maximale Reichweite sogar bei 1300 Yards/1189 Metern.

Hinweis: Abhängig von den Reflexionseigenschaften des jeweiligen Ziels und den Umgebungsbedingungen zu dem Zeitpunkt, zu dem die Entfernung eines Objekts gemessen wird, erhalten Sie sowohl längere als auch kürzere maximale Entfernungen. Farbe, Oberflächenbeschaffenheit, Größe und Form des Ziels beeinflussen alle die Reflektivität und die Reichweite. Je größer die Reflektivität des Ziels desto länger die Reichweite. Ein weißes oder silbernes Objekt ist zum Beispiel stark reflektierend und ermöglicht höhere Reichweiten als schwarz, das die am schwächsten reflektierende Farbe ist. Eine glänzende oder spiegelnde Oberfläche bietet mehr Reichweite als eine matte. Ein kleines Ziel ist schwieriger zu erfassen als ein großes Ziel. Auch der Winkel zum Ziel wirkt sich aus. Ein Schuss auf ein Ziel in einem 90-Grad-Winkel (wobei die Zieloberfläche senkrecht zur Flugbahn des ausgesendeten Energieimpulses steht) bietet eine gute Reichweite, wohingegen ein steiler Winkel zu einer eingeschränkten Reichweite führt. Darüber hinaus beeinflussen Lichtverhältnisse (z. B. die Menge an Sonnenlicht) die Messeigenschaften des Geräts. Je weniger Licht (z. B. bei bedecktem Himmel), desto höher die maximale Reichweite des Geräts. Umgekehrt verringern sehr sonnige Tage die maximale Reichweite des Geräts.

AKTIVIEREN/ERSETZEN DER BATTERIE

Entfernen Sie die Batteriefachabdeckung, indem Sie die Lasche der Abdeckung anheben und dann die Abdeckung solange gegen den Uhrzeigersinn drehen, bis sie sich löst. Nehmen Sie die Abdeckung ab und legen Sie sie beiseite.

DIE EINGELEGTE BATTERIE AKTIVIEREN: In Ihrem neuen Tour V5 ist bereits eine CR2-Batterie eingelegt. Bevor Sie den Entfernungsmesser einsetzen, nehmen Sie die Batterieabdeckung wie oben beschrieben ab. Entfernen Sie die rote Schutzscheibe aus Kunststoff (siehe Foto rechts) von der Oberseite der Batterie und bringen Sie dann den Deckel wieder an.

EINE LEERE BATTERIE ERSETZEN: Setzen Sie eine neue CR2 3-Volt-Lithium-Batterie mit dem positiven Ende zuerst in das Fach ein (das negative flache Ende zeigt nach außen zur Abdeckung). Setzen Sie dann die Batterieabdeckung wieder auf. Hinweis: Es wird empfohlen, die Batterie mindestens alle 6 Monate auszutauschen.



GRUNDLEGENDE FUNKTIONEN

1. Wenn Sie durch den Tour V5 schauen, drücken Sie einmal die Einschalt-/Feuer-Taste, um das Display zu aktivieren. Wenn die Displaysymbole und -nummern verschwommen erscheinen, drehen Sie das Okular in beide Richtungen, bis sie scharfgestellt sind (siehe weiter unten „Okular einstellen“).
2. Halten Sie den Zielkreis (in der Mitte des Displays) über ein mindestens 5 Meter entferntes Ziel, drücken und halten Sie die Einschalt-/Feuer-Taste, bis die „Sichtlinie“ am unteren Rand des Displays angezeigt wird (siehe „Displayanzeigen“ unten). Das den Zielkreis umgebende Fadenkreuz zeigt an, dass der Laserimpuls ausgesendet wird.
3. Nachdem die Reichweite erfasst und angezeigt wurde, können Sie die Power-/Fire-Taste loslassen. Das Fadenkreuz um den Zielkreis verschwindet, sobald der Einschalt-/Feuerknopf losgelassen wird (d. h., der Laser wird nicht mehr übertragen).
4. Nach der Aktivierung bleibt das Display mit der letzten Entfernungsmessung 10 Sekunden lang sichtbar. Sie können die Einschalt-/Feuer-Taste jederzeit erneut betätigen, um die Entfernung für ein neues Ziel zu messen. Der Laser wird maximal 5 Sekunden (aktiv) ausgesendet. Um noch einmal zu schießen, drücken Sie den Feuerknopf erneut.

PINSEKER™ MIT VISUAL JOLT® VERWENDEN

Die exklusive Pinseeker™-Funktion von Bushnell ermöglicht ein zuverlässiges Anvisieren der Fahne, ohne Entfernungen zu großen Zielen im Hintergrund (z. B. Bäume) zu erfassen, die über eine größere Signalstärke verfügen.

Hat der Laserstrahl beim Anvisieren Ihres Ziels mehr als ein Objekt erkannt (z. B. die Fahne und eine Reihe von Bäumen, die sich dahinter befinden), so wird nur die Entfernung zum nächstgelegenen Objekt (also zur Fahne) angezeigt. Die Technologie von JOLT bestätigt mit zwei kurzen Vibrationen, dass die angezeigte Entfernung, die zur Fahne ist. Der rote Ring am äußeren Rand des Displays (die Anzeige von Visual JOLT) wird aktiviert und bekräftigt, dass der Laser mit Pinseeker auf das richtige Ziel anvisiert ist.

Es kann vorkommen, dass der Laserstrahl nur ein Objekt erkennt. In diesem Fall wird ebenfalls die Entfernung angezeigt, doch da nicht mehr als ein Objekt festgestellt wurde, wird keine Bestätigung seitens JOLT gegeben.

Tipp: Während Sie den Einschalt-/Feuerknopf drücken, können Sie das Gerät langsam von Objekt zu Objekt bewegen und den Laser dadurch absichtlich veranlassen, mehrere Objekte anzuvisieren. Dadurch stellen Sie sicher, dass nur das am nächsten gelegene Objekt, das der Laser erkennt, angezeigt wird. Sobald das Gerät ausgeschaltet wurde, schaltet es standardmäßig in den zuletzt eingesetzten Modus.

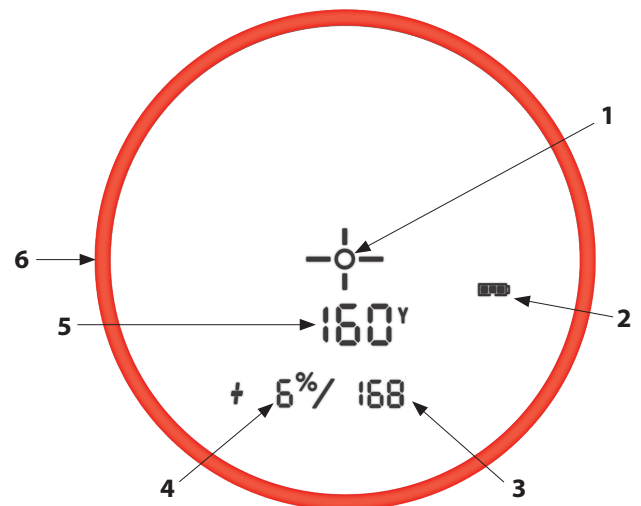
OKULAR EINSTELLEN

Der Tour V5 ist mit einem verstellbaren Schnellfokus-Okular (Dioptrieneinstellung von +/- 3,5) ausgestattet, mit dem Sie die angezeigten Daten und Symbole in Relation zum betrachteten Bild über die monokulare Optik fokussieren können. Drehen Sie das Okular einfach so weit, bis sich das Display im Fokus befindet.

DISPLAYANZEIGEN




Ihr Tour V5-Display umfasst die folgenden Anzeigen (siehe das Displaybild auf der rechten Seite):

1. Zielkreis (das ihn umgebende Fadenkreuz zeigt die Übertragung des Laserimpuls an)
 2. Batteriestand
 3. Spieldistanz* (basierend auf dem Slope)
 4. Slope* (%-Grad)
 5. Sichtlinienentfernung
 6. Visual JOLT-Anzeigering
- *Nur beim Shift-Modell



BATTERIESTANDANZEIGE

Die Batterieanzeige (2) zeigt die verbleibende Leistung an:

- Voll aufgeladen 
- ca. 2/3 der Akkulaufzeit verbleibend 
- ca. 1/3 der Akkulaufzeit verbleibend 
- Batterieanzeige blinkt - Die Batterie muss ausgetauscht werden, sonst ist das Gerät nicht betriebsbereit.

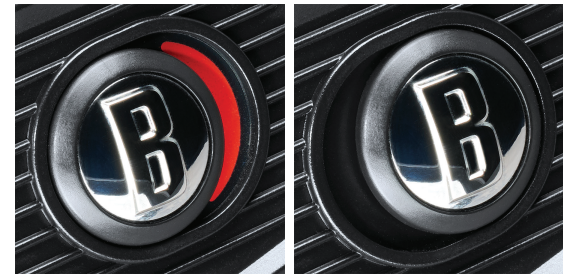
AKTIVER LASER

Das den Zielkreis umgebende Fadenkreuz zeigt an, dass der Laserimpuls ausgesendet wird. Sobald eine Entfernung gemessen wurde, können Sie den Einschalt-/Feuerknopf loslassen. Das Fadenkreuz um den Kreis verschwindet, sobald der Einschalt-/Feuerknopf losgelassen wird (d. h., der Laser wird nicht mehr übertragen).

SLOPE-SWITCH-TECHNOLOGIE (NUR TOUR V5 SHIFT-MODELLNR. 201910)

Mit der Slope-Switch-Technologie können Golfer die patentierte Bushnell Slope-Funktion leicht ein- und ausschalten. Dadurch können Golfspieler die Slope-Funktion bequem nutzen, um die kompensierte Entfernung auf dem ganzen Kurs zu erhalten und gleichzeitig ein USGA-konformes Gerät zu besitzen, das für das Turnierspiel zugelassen ist.

Aktivieren Sie die Slope-Funktion, indem Sie den Slope-Schalter auf der Seite des Tour V5 Shift (Modellnr. 201910) nach links schieben, damit die rote Slope-Anzeige sichtbar ist (siehe Foto rechts) und die patentierte Slope-Technologie von Bushnell angezeigt wird. Der Modus „Slope +/-“ berechnet auf Grundlage der vom Laser-Entfernungsmesser und vom eingebauten Neigungsmesser bestimmten Entfernung und Steigung automatisch eine winkelkompensierte Entfernung. Diese Daten werden anschließend mit internen Algorithmen kombiniert, die mit dem durchschnittlichen Schlägergebrauch und den Ballflugbahnen zusammenhängen. Die winkelkompensierte Entfernung gibt an, wie der Ball geschlagen werden sollte (d. h. bei einer Steigung wird die entsprechende Entfernung hinzugefügt und bei Gefälle abgezogen). Schieben Sie den Slope-Schalter nach rechts und Ihr Tour V5 entspricht nun der USGA-Regel 14-3, so dass die Slope-Funktion mit kompensierter Entfernung deaktiviert wird.



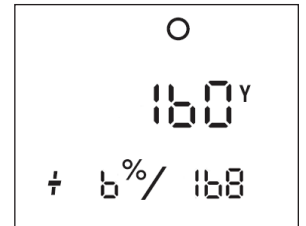
Slope Ein

Slope Aus

SO NUTZEN SIE SLOPE +/-™ (NUR TOUR V5 SHIFT-MODELLNR. 201910)

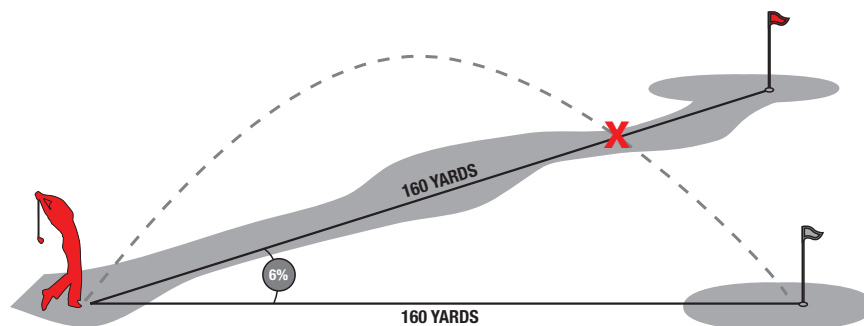
Schieben Sie den Slope-Schalter auf die „Slope On“-Position. Sie werden feststellen, dass eine zweite Zeile im Display erscheint, die Ihnen bestätigt, dass Sie sich jetzt im Slope-Modus befinden. Drücken Sie die Einschalt-/Feuertaste, um die Entfernung zur Fahne oder zu einem neuen Ziel zu erfassen. Wenn die Entfernung angezeigt wird, lassen Sie den Einschalt-/Feuerknopf wieder los. Sobald Sie die Einschalt-/Feuertaste wieder losgelassen haben, erscheint ein Neigungsprozentsatz, und eine kompensierte Entfernung wird unter der Standardentfernung in der zweiten Zahlreihe angezeigt.

Wenn die tatsächliche Entfernung beispielsweise 160 Meter beträgt, aber eine Steigung von 6 Prozent vorliegt, liegt die kompensierte Spieldistanz bei 168 Meter. Das Display würde dann Folgendes anzeigen (siehe rechts):



DER VORTEIL VON SLOPE +/-™ (TOUR V5 SHIFT)

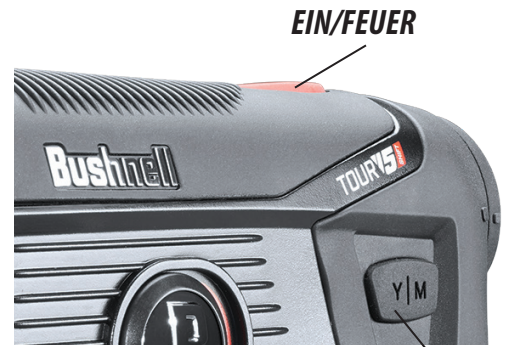
Die Distanz zur schwarzen Fahne in der Zeichnung (siehe unten) beträgt 160 Meter. Auch zur roten Fahne beträgt die Distanz 160 Meter, obwohl sie sich auf einem Hang mit einer Gradienten von 6 % befindet (eine Steigung). Wenn ein Golfer dieses Loch jedoch mit einer Distanz von 160 Metern anspielt, wäre die Flugbahn zu kurz und der Ball (X) würde das Loch/die Fahne ohne Berücksichtigung der Neigung nicht erreichen. Aufgrund der Neigung sollte der Ball mit einem 168-Meter-Schlag gespielt werden. Dies wird als Spieldistanz unter der Sichtlinie angezeigt.



ENTFERNUNGSEINHEIT FESTLEGEN/JOLT-VORSCHAU

Um die Distanzeinheit auszuwählen (Yards <> Meter), drücken Sie auf die Feuer-/Einschalt-Taste (*rechts*), um das Gerät einzuschalten. Halten Sie dann die Y/M-Taste gedrückt, bis sich die Einheiten auf dem Display ändern.

Dadurch werden auch die JOLT-Indikatoren (Vibration und visueller Ring auf dem Display) aktiviert, damit Sie den Effekt der JOLT-Technologie testen können, ohne mit dem Laser ein Ziel anzuvisieren.



Yard/Meter

BITE-MAGNETHALTERUNG

Der Tour V5 verfügt über einen starken BITE-Magnet, der sich auf der rechten Seite des Gehäuses befindet und mit dem das Gerät sicher an einer Stange oder am Rahmen des Golfwagens befestigt werden kann.

⚠ ACHTUNG: Das Gerät mit Bite-Funktion verfügt über einen Neodym-Magnet. Magnete können die Funktion von Herzschrittmachern und implantierten Defibrillatoren beeinflussen. Wenn Sie diese Geräte nutzen, halten Sie ausreichenden Abstand zum Magneten. Warnen Sie andere Nutzer dieser Geräte davor, zu nah an die Magneten zu kommen.

- Der Magnet kann einen Teil seiner Haftkraft dauerhaft verlieren, wenn er Temperaturen von über 80 °C ausgesetzt wird.
- Magnete erzeugen ein weitreichendes, starkes Magnetfeld. Sie können Fernsehgeräte und Laptops, Computerfestplatten, Kredit- und Geldautomatenkarten, Datenspeichermedien, mechanische Uhren, Hörgeräte und Lautsprecher beschädigen. Halten Sie das Gerät von Geräten und Gegenständen fern, die durch starke Magnetfelder beschädigt werden können.
- Magnete verfügen über starke Magnetfelder, die Haut und Finger einklemmen können. Seien Sie vorsichtig, wenn Sie das Gerät an einer Metallstange einbringen.



BITE-MAGNET



Warenkorb
Rahmen

REINIGUNG UND ALLGEMEINE PFLEGE

Die Linsen Ihres Laser-Entfernungsmessers Bushnell Tour V5 sind vollständig mehrfach vergütet für höchste Lichtdurchlässigkeit. Wie bei allen mehrfach beschichteten Optiken ist bei der Linsenpflege besondere Vorsicht geboten. Befolgen Sie diese Tipps für die korrekte Reinigung der Linsen:

- Pusten Sie zuerst Staub und Schmutz von der Linse (oder benutzen Sie einen weichen Linsenpinsel).
- Entfernen Sie Schmutz oder Fingerabdrücke mit dem mitgelieferten Mikrofasertuch durch kreisförmiges Wischen. Durch ein grobes Tuch oder unnötiges Reiben können Kratzer auf der Linsenoberfläche entstehen, die zu dauerhaften Schäden führen können. Das mitgelieferte waschbare Mikrofasereinigungstuch ist ideal für die regelmäßige Reinigung der Optik. Hauchen Sie die Linse leicht an, um für eine geringe Menge an Feuchtigkeit zu sorgen, und wischen Sie die Linse behutsam mit dem Mikrofasertuch ab.
- Für eine gründlichere Reinigung können Sie Linsentücher und Reinigungsflüssigkeiten für Fotokameras oder Isopropylalkohol verwenden. Tragen Sie das Reinigungsmittel immer auf das Reinigungstuch auf – niemals direkt auf die Linse.
- Der Entfernungsmesser ist wasserabweisend, aber er sollte nicht starkem Regen oder anderen direkten Wasserstrahlen ausgesetzt werden. Auch dem Eintauchen in Wasser oder andere Flüssigkeiten hält er nicht stand.

⚠ ACHTUNG: Vermeiden Sie eine direkte Sonneneinstrahlung in das Okular, um Schäden am Display und an den internen Komponenten zu verhindern. Wenn Sie das Gerät mit dem BITE-Magneten an einer Stange oder am Rahmen der Wagenstange befestigen, sollten Sie es so neigen, dass das Okular auf den Boden gerichtet ist und nicht nach oben in Richtung Sonne zeigt. Wenn Sie das Gerät nicht verwenden, sollten Sie es zum zusätzlichen Schutz in der Tasche aufbewahren.

FEHLERBEHEBUNG

Bauen Sie Ihren Laser-Entfernungsmesser niemals auseinander. Nicht autorisierte Wartungsversuche können irreparablen Schaden verursachen und machen die Garantie ungültig.

Das Gerät geht nicht an, das Display leuchtet nicht auf:

- Drücken Sie die Einschalt-/Feuertaste.
- Überprüfen und ersetzen Sie ggf. die Batterie. Wenn das Gerät nicht auf Tastendrücke reagiert, ersetzen Sie die Batterie durch eine CR2 3-Volt-Lithiumbatterie guter Qualität.

Wenn sich das Gerät ausschaltet (Display schaltet sich aus, wenn versucht wird, den Laser zu aktivieren):

- Die Batterie ist schwach oder von schlechter Qualität. Ersetzen Sie die Batterie durch eine neue 3-Volt-Lithiumbatterie (CR2).

Die Zielentfernung kann nicht ermittelt werden:

- Stellen Sie sicher, dass das Display leuchtet.
- Stellen Sie sicher, dass die Einschalt-/Feuertaste gedrückt wird.
- Stellen Sie sicher, dass nichts - wie Ihre Hand oder Ihr Finger - die Objektivlinsen (Linsen, die dem Ziel am nächsten liegen) blockiert, die die Laserimpulse senden und empfangen.
- Stellen Sie sicher, dass das Gerät beim Drücken des Einschalt-/Feuertaste ruhig gehalten wird.

HINWEIS: Die letzte Entfernungsmessung muss nicht gelöscht werden, bevor ein anderes Ziel gemessen wird. Visieren Sie einfach ein neues Ziel mit dem Display-Fadenkreuz an und halten Sie die Einschalt-/Feuertaste gedrückt, bis die neue Entfernung angezeigt wird.

Technische Daten

Abmessungen	3,8 x 10,8 x 7,6 cm
Gewicht	226 g
Genauigkeit der Entfernungsbestimmung	Bis auf +/- 1 Meter genau
Reichweite	5-1.189 Meter
Vergrößerung	6-fach
Objektivdurchmesser	22 mm
Optische Beschichtungen	Komplett mehrfach vergütet
Anzeige	LCD mit beleuchtetem Jolt-Indikatorring
Stromversorgung	3-Volt-Lithiumbatterie (CR2)
Sichtfeld	300 Fuß bei 1000 Yard/100 Meter bei 1000 Metern
Extra langer Austrittspupillen-Abstand	13 mm
Austrittspupille	3,5 mm
Lieferumfang	Hochwertige Tragetasche und CR2-Batterie



WARNUNG: Dieses Produkt verwendet eine Lithiumbatterie. Lithiumbatterien können überhitzen und bei unsachgemäßem Gebrauch Schäden verursachen. Verwenden Sie keine Batterien, die beschädigt sind oder Anzeichen von Verschleiß aufweisen.

FCC-Erklärung

Dieses Gerät entspricht den Anforderungen in Abschnitt 15 der FCC-Richtlinien. Der Betrieb unterliegt den folgenden zwei Bedingungen: (1) Dieses Gerät darf keine schädlichen Störungen verursachen, und (2) dieses Gerät muss alle empfangenen Störungen tolerieren, einschließlich Störungen, die einen unerwünschten Betrieb verursachen.

Dieses Gerät wurde geprüft und entspricht den Grenzwerten für ein digitales Gerät der Klasse B, gemäß Abschnitt 15 der FCC-Vorschriften. Diese Grenzwerte bieten einen ausreichenden Schutz gegen Störungen bei der Verwendung in Wohnbereichen.

Dieses Gerät erzeugt, verwendet und kann Hochfrequenzenergie ausstrahlen. Es kann, wenn es nicht gemäß den Anweisungen installiert und verwendet wird, Störungen des Funkverkehrs verursachen. Es wird jedoch keinerlei Garantie dafür übernommen, dass in einer bestimmten Aufstellungssituation keine Störungen auftreten.

Sollte dieses Gerät die Störungen im Rundfunk- und Fernsehempfang verursachen, was durch Aus- und Einschalten des Gerätes festgestellt werden kann, empfehlen wir, die Störung durch eine oder mehrere der folgenden Maßnahmen zu beheben:

- Richten Sie die Empfangsantenne aus oder positionieren Sie diese neu.
- Erhöhen Sie den Abstand zwischen Gerät und Empfänger.
- Schließen Sie das Gerät an eine Steckdose in einem anderen Stromkreis an, als dem, an den der Empfänger angeschlossen ist.
- Wenden Sie sich an den Händler oder einen erfahrenen Rundfunktechniker, um Hilfe zu erhalten.



Der erläuternde Hinweis erscheint aus Platzgründen nur innerhalb des Benutzerhandbuchs.

Service-Hinweise:

- Der Kunde darf die Batterieabdeckung entfernen, um die Batterie zu ersetzen.
- Dieses Produkt enthält keine Bedienelemente, die vom Benutzer zu warten sind.
- Dieses Produkt darf nicht geöffnet oder vom Kunden modifiziert werden.
- Dieses Produkt muss für eine Wartung an den Hersteller zurückgesendet werden.

Kontakt: Bushnell Holdings, Inc.

9200 Cody, Overland Park KS 66214



FDA-SICHERHEIT

Entspricht 21CFR1040.10 und 1040.11 mit Ausnahme der Konformität mit IEC60825-1 Ed. 3, wie beschrieben in der Laser Notice 56 vom 8. Mai 2019. Achtung: Die Verwendung von anderen als den hier angegebenen Bedienelementen oder Einstellungen oder die Durchführung anderer Verfahren kann zu einer gefährlichen Strahlenbelastung führen.

Erklärung zu den Anforderungen von Industry Canada:

Dieses Gerät entspricht den lizenzfreien RSS von ISED. Der Betrieb unterliegt den folgenden zwei Bedingungen: (1) Dieses Gerät darf keine schädlichen Störungen verursachen, und (2) dieses Gerät muss alle empfangenen Störungen tolerieren, einschließlich Störungen, die einen unerwünschten Betrieb verursachen.

Le présent appareil est conforme aux CNR d'ISED applicables aux appareils radio exempts de licence. L'exploitation est autorisée aux deux conditions suivantes: (1) le dispositif ne doit pas produire de brouillage préjudiciable, et (2) ce dispositif doit accepter tout brouillage reçu, y compris un brouillage susceptible de provoquer un fonctionnement indésirable.

Hinweis zur Strahlenexposition/Déclaration d'exposition aux radiations:

Dieses Gerät entspricht den von Industry Canada festgelegten Grenzwerten für eine unkontrollierte Umgebung und ist sicher für den beabsichtigten Betrieb, wie er in diesem Handbuch beschrieben wird. Eine weitere Reduzierung der HF-Exposition kann erreicht werden, indem man das Produkt so weit wie möglich vom Körper des Anwenders entfernt hält oder indem man das Gerät auf eine niedrigere Ausgangsleistung stellt, falls eine solche Funktion verfügbar ist.

Le produit est conforme aux limites d'exposition pour les appareils portables RF pour les Etats-Unis et le Canada établies pour un environnement non contrôlé.

Le produit est sûr pour un fonctionnement tel que décrit dans ce manuel. La réduction aux expositions RF peut être augmentée si l'appareil peut être conservé aussi loin que possible du corps de l'utilisateur ou que le dispositif est réglé sur la puissance de sortie la plus faible si une telle fonction est disponible.

<http://patents.vistaoutdoor.com>

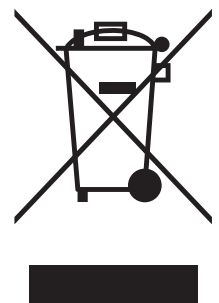
Entsorgung von elektronischen und elektrischen Geräten

(Anwendbar in der EU und anderen europäischen Ländern mit Mülltrennungs- und Verwertungssystemen)

Dieses Gerät enthält elektrische und/oder elektronische Teile und darf daher nicht im normalen Hausmüll entsorgt werden. Stattdessen ist es bei den entsprechenden Recyclingsammelstellen der Gemeinden abzugeben. Dies ist für Sie kostenfrei.

Falls dieses Gerät austauschbare (wiederaufladbare) Batterien enthält, so müssen auch diese vorher entfernt und dann ggf. nach den entsprechenden Vorschriften entsorgt werden. Lesen Sie dazu die entsprechenden Hinweise in dem Handbuch zu diesem Gerät.)

Weitere Informationen zu diesem Thema erhalten Sie bei Ihrer Gemeindeverwaltung, Ihrem örtlichen Abfallentsorgungsunternehmen oder in dem Geschäft, in dem Sie das Gerät gekauft haben.



ZWEIJÄHRIGE BESCHRÄNKTE GARANTIE

Auf Ihren Bushnell® Golf-Laserentfernungsmesser erhalten Sie eine Garantie von zwei Jahren ab Kaufdatum auf Material- und Verarbeitungsfehler. Sollte in der Garantiezeit ein Defekt auftreten, werden wir das Produkt nach unserer Wahl reparieren oder ersetzen, wenn Sie das Produkt vorausbezahlt zurücksenden. Diese Garantie deckt keine Schäden ab, die durch unsachgemäßen Gebrauch, falsche Handhabung, Installation oder durch Wartungsarbeiten entsteht, die nicht von einer autorisierten Bushnell®-Serviceabteilung durchgeführt werden.

Jede Rücksendung muss gemäß dieser Garantie die nachfolgend angegebenen Komponenten bzw. Informationen enthalten:

1. Ein Scheck/eine Geldanweisung in Höhe von 10,00 \$, um Porto und Verpackung zu bezahlen
2. Name, Adresse und Telefonnummer tagsüber für die Rückgabe des Produktes.
3. Eine Erklärung des Defekts.
4. Eine Kopie Ihres Kaufbelegs mit Datum.

Senden Sie kein Zubehör (Batterien, Etui, Gurt usw.) ein, sondern nur das Produkt, das repariert werden soll.

Das Produkt sollte zur Vermeidung von Schäden beim Versand gut in einem stabilen Versandkarton verpackt an die folgende Adresse geschickt werden:

In den USA bitte senden an:

Bushnell® Outdoor Products
Attn.: Repairs
9200 Cody
Overland Park, Kansas 66214

In Kanada bitte senden an:

Bushnell® Outdoor Products
Attn.: Repairs
140 Great Gulf Drive, Unit B
Vaughan, Ontario L4K 5W1

Für Produkte, die außerhalb der USA oder Kanada erworben wurde, kontaktieren Sie bitte Ihren lokalen Händler, um entsprechende Informationen zu Ihrer Garantie zu erhalten.

Diese Garantie verschafft Ihnen bestimmte gesetzlich verankerte Rechte.
Unter Umständen haben Sie noch weitere Rechte, die von Land zu Land variieren.

©2020 Bushnell® Outdoor Products

Congratulazioni per aver potenziato il tuo gioco con "BITE" con il tuo acquisto del Telemetro Laser Bushnell® Tour V5. Il Tour V5 è un Telemetro Laser ottico di precisione progettato per offrire molti anni di divertimento. Questo manuale di istruzioni ti aiuterà a ottenere prestazioni ottimali spiegandotene le caratteristiche e il funzionamento, nonché come prenderti cura del telemetro. Per assicurare una prestazione ottimale e la longevità, ti preghiamo di leggere queste istruzioni prima di usare il tuo Tour V5.

AVVERTENZA: come per qualsiasi dispositivo laser, non è consigliabile guardare direttamente le emissioni per lunghi periodi di tempo con lenti di ingrandimento.

INTRODUZIONE

Il tuo Tour V5 Bushnell® è un avanzato telemetro laser di prima qualità dotato di tecnologia digitale e processori turbo che consentono un campo di lettura da 5-1300 yard / 5-1189 metri. Il Tour V5 offre un'acquisizione estremamente veloce e un'accuratezza di +/- 1 metro.

Il Tour V5 presenta la tecnologia PinSeeker™ con JOLT, che consente al golfista di puntare sulla bandiera facilmente e rapidamente senza acquisire bersagli sullo sfondo e con una superba qualità ottica. JOLT è stato migliorato con il nuovissimo "Visual JOLT". Un anello rosso ora lampeggia mentre JOLT vibra per dare al golfista maggiore feedback e la sicurezza di sapere di avere raggiunto la bandiera.

La novità del Tour V5 è anche l'esclusivo supporto magnetico BITE di Bushnell che ti consente di posizionare il Tour V5 proprio sul carrello.

Guida alle parti

1. Magnete BITE (vedere l'immagine dell'inserito)
2. Interruttore Metri
3. Tasto di Accensione
4. Quadrante diottrico dell'oculare
5. Vano batteria
6. Interruttore Pendenza (solo nel modello Shift)



DESCRIZIONE DELLA TECNOLOGIA DIGITALE IMPIEGATA

Il Tour V5 emette impulsi di energia a infrarossi invisibili e non dannosi per gli occhi. Il microprocessore Digitale Avanzato Tour V5 e il chip ASIC (Circuito Integrato per Applicazioni Specifiche) danno origine a letture istantanee e accurate ogni momento. La sofisticata tecnologia digitale calcola istantaneamente le distanze misurando l'intervallo necessario a ciascun impulso emesso per raggiungere il bersaglio e ritornare al telemetro.

PRECISIONE DEL RAGGIO

La precisione del raggio del Tour V5 è di più o meno uno yard / metro nella maggior parte delle condizioni. La distanza massima misurabile dallo strumento dipende dalla riflettività dell'obiettivo. Il Tour V5 raggiunge una bandiera da golf a 366 metri, mentre per gli oggetti altamente riflettenti il massimo è 1189 metri.

Nota: è possibile ottenere distanze massime maggiori o minori a seconda delle proprietà riflettenti del bersaglio particolare e delle condizioni ambientali presenti nel momento in cui viene misurata la distanza di un oggetto. Il colore, la finitura della superficie, la dimensione e la forma del bersaglio influiscono sul potere riflettente e sulla portata. Più elevata è la riflettività del bersaglio, maggiore è la portata. Un oggetto bianco o argentato è estremamente riflettente e consente portate maggiori rispetto al nero, che è il colore meno riflettente. Una finitura brillante o lucida fornisce una portata maggiore rispetto ad una opaca. Un bersaglio piccolo è più difficile da misurare rispetto a un bersaglio più grande. Anche l'angolazione rispetto al bersaglio influisce sulla misurazione. Mirare a un bersaglio a un'angolazione di 90° (quando la superficie del bersaglio è perpendicolare al percorso aereo degli impulsi di energia emessi) determina una buona portata, mentre un'angolazione stretta determina portate limitate. Inoltre, le condizioni di luce (ad esempio la quantità di luce solare) influiscono sulla portata dell'unità. Minore è il livello di luce (ad esempio con cielo nuvoloso), maggiore è la portata massima dell'unità. Viceversa, giornate molto soleggiate riducono la portata massima dell'unità.

ATTIVAZIONE/SOSTITUZIONE DELLA BATTERIA

Rimuovi il coperchio del vano batteria sollevando la linguetta e ruotolo in senso orario finché non si toglie. Solleva il coperchio e mettilo da parte.

ATTIVAZIONE DELLA BATTERIA INSTALLATA: Nel tuo nuovo Tour V5a è preinstallata una batteria CR2. Prima di utilizzare il telemetro, rimuovi il coperchio del vano batteria come descritto in precedenza. Rimuovi il disco rosso di protezione in plastica (vedere immagine a destra) dalla parte superiore della batteria, quindi ricolloca in posizione il coperchio della batteria.

SOSTITUZIONE DI UNA BATTERIA SCARICA: Inserisci una nuova batteria 3 V CR2 a litio con il polo positivo all'interno dello scomparto (il polo negativo sarà rivolto all'esterno verso il coperchio della batteria), poi riposiziona il coperchio della batteria. Nota: si consiglia di sostituire la batteria almeno una volta ogni 6 mesi.



FUNZIONAMENTO DI BASE

1. Mentre guardi attraverso il Tour V5, premi una volta il tasto di Accensione per attivare il display. Se le icone e i numeri del display sono sfocati, ruota l'oculare in entrambe le direzioni fino a quando non sono a fuoco (vedere "Regolazione dell'oculare" di seguito).
2. Posiziona il reticolo circolare (centro del display) su un obiettivo ad almeno 5 yard di distanza, tieni premuto il tasto di Accensione finché la "linea di vista" non verrà mostrata in basso sul display (vedi "Indicatori Display" di seguito). I mirini che circondano il reticolo circolare indicano che il laser viene trasmesso.
3. Dopo che il raggio è stato acquisito e mostrato, puoi rilasciare il tasto di Accensione. I mirini che circondano il reticolo circolare scompaiono quando il tasto di Accensione viene rilasciato (ovvero il laser non viene più trasmesso).
4. Una volta attivato, il display rimarrà visibile e continuerà a mostrare la l'ultima distanza misurata per 10 secondi. Puoi premere il tasto di Accensione di nuovo in qualsiasi momento per raggiungere un nuovo obiettivo. Il tempo massimo in cui il laser è trasmesso (attivo) è di 5 secondi. Per attivarlo nuovamente, premere di nuovo il tasto.

USARE PINSEEKER™ CON VISUAL JOLT®

L'esclusiva funzionalità Pinseeker™ di Bushnell consente di mirare precisamente alla bandiera senza acquisire inavvertitamente le distanze da grandi obiettivi sullo sfondo (es. alberi) che hanno una maggiore forza del segnale.

Quando raggiungi il tuo obiettivo, se il fascio del laser avesse riconosciuto più di un oggetto (per esempio, la bandiera e un gruppo di alberi dietro), verrà mostrata solo la distanza dall'oggetto più vicino (la bandiera). La tecnologia Jolt offre due brevi colpi di vibrazioni per confermare che la distanza visualizzata è quella della bandiera e l'anello rosso (indicatore Visual JOLT) intorno al bordo esterno del display viene attivato, a conferma che il laser ha centrato il bersaglio corretto tramite Pinseeker.

Potrebbe capitare a volte che il fascio del laser veda solo un oggetto nella sua traiettoria. In questo caso, la distanza verrà visualizzata ma, poiché più di un oggetto non è stato acquisito, non verrà fornita nessuna indicazione JOLT.

Suggerimento: mentre si tiene premuto il tasto di Accensione, è possibile spostare lentamente il dispositivo da un oggetto a un altro e costringere intenzionalmente il laser a colpire più oggetti, per assicurarsi che venga visualizzato solo l'oggetto più vicino fra quelli riconosciuti dal laser. Quando il dispositivo è spento, l'unità torna sempre all'ultima modalità usata.

REGOLAZIONE DELL'OCULARE

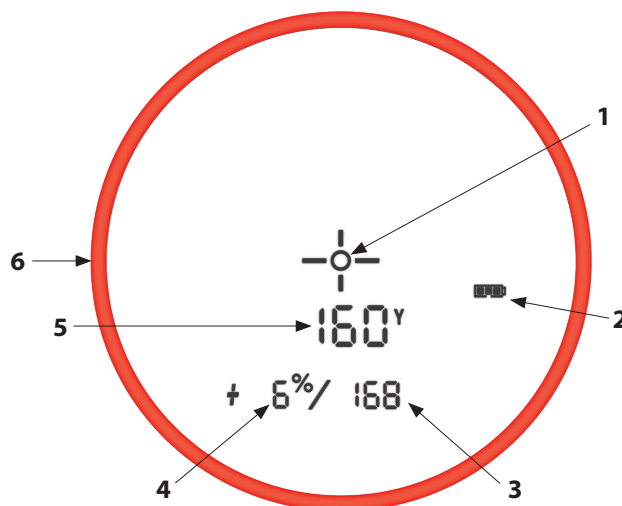
Il Tour V5 è dotato di un oculare a Fuoco Rapido regolabile (+/- 3.5 regolazione diottrica) che ti consente di mettere a fuoco i dati e le icone mostrati relativi all'immagine vista dall'ottico monoculare. È sufficiente ruotare l'oculare finché il display non è a fuoco.

INDICATORI DEL DISPLAY

Il display del tuo Tour V5 incorpora i seguenti indicatori (fai riferimento all'immagine del display sulla destra):

1. Reticolo circolare di mira (i mirini circostanti indicano la trasmissione del laser)
2. Livello della batteria
3. Distanza "Gioca Come"* (basata sulla pendenza)
4. Pendenza* (% grado)
5. Distanza linea di vista
6. Anello indicatore Visual JOLT

*solo nel modello Shift



INDICATORE LIVELLO BATTERIA

L'Indicatore di Batteria (2) mostra il livello rimanente:

- Carica completa
- appross. 2/3 di carica della batteria restanti
- appross. 1/3 di carica della batteria restante
- Indicatore della batteria lampeggiante: la batteria deve essere sostituita e l'unità non è utilizzabile.

LASER ATTIVO

I mirini che circondano il reticolo circolare indicano che il laser viene trasmesso. Una volta acquisita una distanza, è possibile rilasciare il tasto di Accensione. Dopo aver rilasciato il tasto di Accensione, i mirini che circondano il reticolo circolare scompaiono (ovvero, il laser non viene più trasmesso).

TECNOLOGIA SLOPE SWITCH (SOLO TOUR V5 MODELLO SHIFT# 201910)

La tecnologia Slope-Switch permette al golfista di attivare e disattivare la funzione Pendenza brevettata di Bushnell. Questo consente al golfista di utilizzare convenientemente la funzione Pendenza per acquisire distanze bilanciate intorno alla traiettoria quando vogliono e, quando ne hanno bisogno, di avere un dispositivo conforme alle norme USGA che è legale per i campionati.

Quando la modalità pendenza è attivata spostando l'interruttore sul lato del Tour V5 Shift (*modello# 201910*) a sinistra per cui l'indicatore rosso Pendenza diventa visibile (*vedi la foto a destra*), viene mostrata la brevettata Tecnologia Slope di Bushnell. La modalità Slope +/- calcolerà automaticamente una distanza con compensazione dell'angolo in base a distanza e pendenza determinate dal telemetro laser e dall'inclinometro integrato. Questi dati sono poi combinati con formule algoritmiche interne inerenti l'uso medio della mazza e le traiettorie della palla. La distanza con compensazione dell'angolo fornisce indicazioni su come giocare il colpo (ossia aggiungere distanza in caso di pendenza, sottrarre distanza in caso di piano declinante).

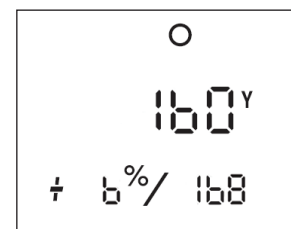
Sposta l'interruttore Pendenza a destra e il tuo Tour V5 adesso è conforme alla Regola USGA 14-3, con la funzionalità di compensazione della pendenza rimossa.



COME USARE SLOPE +/-™ (SOLO TOUR V5 MODELLO SHIFT# 201910)

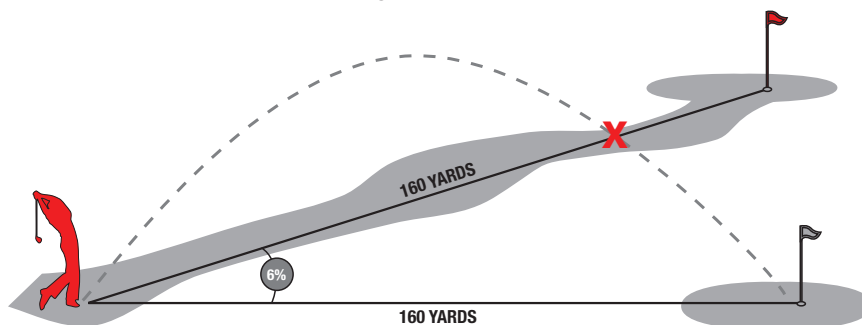
Spostare l'interruttore sulla posizione "Slope On". Vedrai una seconda linea di informazioni apparire sul display, confermando che adesso sei in modalità pendenza. Premere il tasto di Accensione per allontanarsi dalla bandiera o altro oggetto. Una volta che la distanza è visualizzata, rilasciare il tasto di Accensione. Una volta rilasciato il tasto di accensione, una percentuale di gradazione e un raggio bilanciato verranno mostrati al di sotto della distanza standard nella seconda linea di numeri.

Per esempio, se la distanza reale è di 160 yard, ma con una pendenza del +6 percento, la distanza compensata dalla pendenza ("gioca-come") è di 168 yard. Sul display verranno visualizzati i valori riportati nell'immagine a destra:



IL VANTAGGIO DI SLOPE +/-™ (TOUR V5 SHIFT)

La distanza dalla bandiera nera nel disegno (*vedi di seguito*) è 160 yard. È di 160 yard anche dalla bandiera rossa, anche se è su una pendenza con un grado del 6% (pendenza in salita). Tuttavia, se un golfista giocasse questa buca a 160 yard, la pallina (X) mancherebbe la buca/bandiera se la pendenza non venisse considerata. A causa della pendenza, dovrebbe essere giocata con un tiro a 168 yard. Questo verrà mostrato come la distanza "gioca come" sotto la linea della distanza di tiro.



IMPOSTARE UNITÀ DI DISTANZA/ANTEPRIMA JOLT

Per selezionare le unità di distanza (yard<>metri), premi il tasto di Accensione (destra) per accendere l'unità, poi tieni premuto il tasto Y/M finché non cambia l'unità nel display.

Ciò attiva anche gli indicatori JOLT (vibrazione e anello visuale nel display), consentendoti l'anteprima/la demo degli effetti della Tecnologia JOLT senza che ti venga richiesto di puntare il laser ad un obiettivo.



SUPPORTO MAGNETICO BITE

Il Tour V5 si presenta con un potente magnete BITE incorporato nel lato destro della sua custodia, che consente al dispositivo di essere attaccato in sicurezza ad un carrello da golf o al telaio.

AVVERTENZE: la funzionalità Bite inclusa nel dispositivo contiene un magnete Neodimio. I magneti possono compromettere l'uso di pacemaker e defibrillatori impiantati. Chi usa questi dispositivi deve tenersi a distanza sufficiente dal magnete. Avvertire le altre persone che portano questi dispositivi di non avvicinarsi troppo ai magneti.

- Il magnete può perdere parte della sua forza adesiva in modo permanente se esposto a temperature superiori a 175° F (80° C).
- I magneti producono campi magnetici forti e a largo raggio. Possono danneggiare TV e computer portatili, dischi rigidi dei computer, bancomat e carte di credito, dispositivi di memorizzazione dati, orologi meccanici, apparecchi acustici e altoparlanti. Tenere l'unità lontana da dispositivi e oggetti che possono essere danneggiati da campi magnetici forti.
- I magneti hanno forti campi magnetici in cui possono essere incastrati pelle e dita. Fai attenzione quando attacchi l'unità ad una barra di metallo.



PULIZIA E CURA GENERALE

Le lenti del tuo telemetro laser Tour V5 Bushnell sono completamente rivestite per una trasmissione con la più elevata luminosità. Come nel caso di qualsiasi ottica multistrato, prestare particolare attenzione durante la pulizia delle lenti. Per una pulizia appropriata delle lenti, attenersi ai consigli riportati di seguito.

- Rimuovere la polvere o i detriti eventualmente presenti sulle lenti (o utilizzare una spazzola morbida per lenti).
- Per rimuovere impronte o sporizia, pulire con il panno in microfibra in dotazione, strofinando con movimento circolare. L'uso di un panno ruvido o lo sfregamento non necessario possono graffiare la superficie della lente e provocare danni permanenti. Il panno in microfibra lavabile in dotazione è l'ideale per la pulizia ordinaria delle ottiche. È sufficiente inumidire la lente con il fiato e strofinarla delicatamente con il panno in microfibra.
- Per una pulizia più completa, si possono usare delle salviette e del liquido per la pulizia delle lenti fotografiche o dell'alcol isopropilico. Applicare sempre il liquido sul panno e mai direttamente sulle lenti.
- Il telemetro è resistente all'acqua, ma non deve essere esposto a forte pioggia o altri flussi di acqua diretti e non resiste a immersioni in acqua o altri liquidi.

ATTENZIONE: evita che l'oculare venga esposto a luce solare diretta per non danneggiare le componenti interne o il display. Quando usi il magnete BITE per attaccare il dispositivo ad un carrello o telaio, inclina il dispositivo perché l'oculare venga puntato verso il campo e non in alto verso il sole. Quando non usi il dispositivo, conservalo nella custodia per un'ulteriore protezione.

RISOLUZIONE DEI PROBLEMI

Non smontare mai il telemetro laser. Eventuali interventi non autorizzati possono causare danni irreparabili e, al tempo stesso, rendere nulla la garanzia.

Se l'unità non si accende, il display non si illumina:

- Premere il tasto di Accensione.
- Controllare e, se necessario, sostituire la batteria. Se l'unità non risponde alla pressione dei tasti, sostituire la batteria con una nuova batteria al litio CR2 da 3 volt di buona qualità.

Se l'alimentazione dell'unità è bassa (il display si spegne quando si tenta di azionare il laser):

- La batteria è scarica o di scarsa qualità. Sostituire la batteria con una nuova batteria al litio da 3 volt (CR2).

Se non è possibile ottenere la distanza del bersaglio:

- Assicurarsi che il display sia illuminato.
- Assicurarsi che il tasto di Accensione sia stato premuto.
- Assicurarsi che nulla, come ad esempio un mano o un dito, stia bloccando le lenti dell'obiettivo (le lenti più vicine al bersaglio) che trasmettono e ricevono gli impulsi laser.
- Assicurarsi che l'unità sia tenuta ferma mentre si preme il tasto di Accensione.

NOTA: prima di effettuare la misurazione della distanza di un altro bersaglio, non è necessario cancellare la lettura dell'ultima distanza. Mira semplicemente al nuovo obiettivo usando il reticolo del display, tieni premuto il tasto di Accensione finché la lettura di una nuova distanza non verrà mostrata.

Specifiche tecniche

Dimensioni	3,8 x 11,4 x 7,6 cm
Peso	226 g.
Precisione distanza	Precisione di +/- 1 metro
Distanza	5 - 1300 Yard / 5 - 1189 metri
Ingrandimento	6x
Diametro obiettivo	22 mm
Rivestimenti ottici	Rivestimento multistrato completo
Display	Anello indicatore JOLT LCD w/illuminato
Alimentazione	Al litio da 3 volt (CR-2)
Campo visivo	300 piedi @ 1000 yard / 100 metri @ 1000 metri
Estrazione Pupillare Molto Lunga	13 mm
Pupilla di uscita	3,5 mm
Articoli inclusi	Custodia per il trasporto Premium e batteria CR2

 **AVVERTENZA:** questo prodotto utilizza una batteria al litio. Le batterie al litio possono surriscaldarsi e causare danni se vengono manomesse. Non utilizzare batterie che siano danneggiate o con segni di usura fisica.

Dichiarazione FCC

Questo dispositivo è conforme alla parte 15 delle regole FCC. Il funzionamento è soggetto alle due condizioni seguenti: (1) il dispositivo non può causare interferenze dannose e (2) il dispositivo deve accettare qualsiasi interferenza ricevuta, incluse le interferenze che possono causare un funzionamento indesiderato.

Questa attrezzatura è stata testata ed è risultata conforme ai limiti per un dispositivo digitale di Classe B, secondo la Parte 15 delle Regole FCC. Questi limiti sono concepiti per fornire ragionevole protezione contro interferenze nocive nelle installazioni residenziali.

Questa apparecchiatura genera, usa e può emanare energia di frequenze radio e, se non installata e usata seguendo le istruzioni, potrebbe causare una pericolosa interferenza alle comunicazioni radio. Tuttavia, non c'è alcuna garanzia che le interferenze non si verifichino in particolari installazioni.

Se il dispositivo causa interferenze pericolose alla ricezione radio o televisiva (il che può essere verificato spegnendo e accendendo il dispositivo), si consiglia di cercare di correggere l'interferenza adottando una o più tra le seguenti misure:

- Cambia l'orientamento o la posizione dell'antenna ricevente.
- Aumenta la separazione tra il dispositivo e il ricevitore.
- Collega il dispositivo ad una presa che si trovi su un circuito diverso da quello al quale è collegato il ricevitore.
- Consultare il rivenditore o un tecnico radio/TV esperto per assistenza.



L'etichetta esplicativa appare solo qui all'interno del manuale a causa dei limiti di spazio.

Note di Servizio:

- Il consumatore può rimuovere il coperchio della batteria per sostituirla.
- Questo prodotto ha dei comandi che non possono essere riparati dall'utente.
- Questo prodotto non deve essere aperto o modificato dal consumatore.
- Questo prodotto deve essere rispedito al produttore per la riparazione.

Contatti: Bushnell Holdings, Inc.
9200 Cody, Overland Park KS 66214



SICUREZZA FDA

È conforme a 21CFR1040.10 e 1040.11 eccetto per la conformità a IEC60825-1 Ed.3., come descritto nella Notifica Laser 56, datata 8 maggio 2019

Attenzione- l'uso dei comandi o le modifiche o l'esecuzione di procedure diverse da quelle specificate qui potrebbero dare origine ad un'esposizione a radiazioni pericolose.

Dichiarazione Industria del Canada:

Questo dispositivo è conforme ai RSS esenti da licenza ISED. Il funzionamento è soggetto alle due condizioni seguenti: (1) il dispositivo non può causare interferenze dannose e (2) il dispositivo deve accettare qualsiasi interferenza ricevuta, incluse le interferenze che possono causare un funzionamento indesiderato.

Le présent appareil est conforme aux CNR d'ISED applicables aux appareils radio exempts de licence. L'exploitation est autorisée aux deux conditions suivantes: (1) le dispositif ne doit pas produire de brouillage préjudiciable, et (2) ce dispositif doit accepter tout brouillage reçu, y compris un brouillage susceptible de provoquer un fonctionnement indésirable.

Dichiarazione di Esposizione a Radiazioni / Déclaration d'exposition aux radiations:

Questo dispositivo è conforme ai limiti di esposizione alle frequenze radio dei portatili dell'Industria del Canada stabiliti per un ambiente non controllato ed è sicuro per le attività per cui è programmato come descritto in questo manuale. Un'ulteriore riduzione dell'esposizione alle frequenze radio può essere ottenuta se il prodotto viene tenuto il più lontano possibile dal corpo dell'utente o se il dispositivo viene impostato con una potenza più bassa se tale funzione è disponibile.

Le produit est conforme aux limites d'exposition pour les appareils portables RF pour les Etats-Unis et le Canada établies pour un environnement non contrôlé.

Le produit est sûr pour un fonctionnement tel que décrit dans ce manuel. La réduction aux expositions RF peut être augmentée si l'appareil peut être conservé aussi loin que possible du corps de l'utilisateur ou que le dispositif est réglé sur la puissance de sortie la plus faible si une telle fonction est disponible.

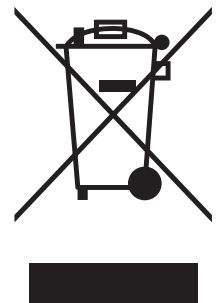
<http://patents.vistaoutdoor.com>

Smaltimento di apparecchiature elettriche ed elettroniche (Applicabile nell'UE e in altri paesi europei con sistemi di raccolta differenziata)

Questa apparecchiatura contiene componenti elettrici e/o elettronici e non deve pertanto essere smaltita come un normale rifiuto domestico. Deve invece essere smaltita presso i relativi punti di raccolta per il riciclaggio forniti dalle comunità. Per i clienti lo smaltimento è gratuito.

Se l'apparecchiatura contiene batterie intercambiabili (ricaricabili), anche queste devono essere rimosse prima e, se necessario, a loro volta smaltite seguendo la regolamentazione pertinente (vedi anche i rispettivi commenti nelle istruzioni di questa unità).

Ulteriori informazioni in materia sono disponibili presso l'amministrazione comunitaria, la società locale addetta allo smaltimento dei rifiuti o il negozio in cui è stata acquistata l'apparecchiatura.



GARANZIA DI DUE ANNI

Il tuo telemetro laser da golf di Bushnell® ha una garanzia in relazione alla mancanza di difetti dei materiali e del prodotto per due anni dopo la data dell'acquisto. In caso di difetto durante tale periodo di garanzia, provvederemo, a nostra discrezione, alla riparazione o sostituzione del prodotto, a condizione che il cliente abbia spedito il prodotto a sue spese. Questa garanzia non copre i danni causati dal cattivo uso, dal maneggiare in modo improprio, dall'installazione o manutenzione eseguite da qualcuno al di fuori di un Ufficio Assistenza Autorizzato di Bushnell®.

Qualsiasi restituzione effettuata in base alla presente garanzia deve essere accompagnata dai seguenti articoli:

1. Un assegno/denaro per una somma di \$10.00 per coprire il costo della spedizione e del trasporto.
2. Nome, indirizzo e numero di telefono in orario diurno per la restituzione del prodotto.
3. Una spiegazione del difetto riscontrato.
4. Copia datata della prova di acquisto.

Non inviare gli accessori (batterie, custodia, cinghia, ecc.), solo il prodotto da riparare.

Il prodotto deve essere ben imballato in una scatola da spedizioni robusta per evitare danni durante il trasporto e spedito al seguente indirizzo:

IN U.S.A. Invia a:

Prodotti Bushnell® Outdoor
Attn.: Riparazioni
9200 Cody
Overland Park, Kansas 66214

IN CANADA Invia a:

Prodotti Bushnell® Outdoor
Attn.: Riparazioni
140 Great Gulf Drive, Unit B
Vaughan, Ontario L4K 5W1

Per i prodotti acquistati fuori dagli Stati Uniti o dal Canada contatta il fornitore locale per le informazioni sulla garanzia applicabile.

Questa garanzia ti offre diritti legali specifici.
Potresti avere altri diritti, i quali variano da paese a paese.
©2020 Prodotti Bushnell® Outdoor

Bushnell®Tour V5 レーザー距離計をお買い求めいただきありがとうございます。「BITE」をあなたのプレイの向上にお役立てください。Tour V5 は、長年ご愛用いただけるように設計された高精度のレーザー距離測定光学装置です。このオーナーズガイドでは、最高のプレイにお役立ていただけるよう、この距離計の機能と操作方法、ならびにお手入れ方法を説明します。Tour V5 を最適な状態で末永くお使いいただくため、お使いいただく前に、この説明書をお読みください。

警告：レーザー装置を使用する場合は、拡大レンズを使用してレーザー照射を長時間直視しないようにしてください。

はじめに

Bushnell®Tour V5 は、デジタル技術とターボプロセッサーを融合した先進のプレミアムレーザー距離計で、5 ~ 1300 ヤード / 5 ~ 1189 メートルの範囲の測定が可能です。Tour V5 は、驚くほどスピーディに、 ± 1 ヤードの精度で距離を測定できます。

Tour V5 は、ピンシーカー (PinSeeker™) テクノロジーとジョルト機能が搭載されており、背景の目標物を無視して、簡単にすばやくフラッグに照準を合わせることができ、最高の光学品質です。ジョルト機能には新たに「ビジュアル ジョルト (Visual JOLT)」が追加され、振動だけでなく、赤いリングも表示されるようになり、さらにわかりやすく、フラッグに照準が合っていることを確認できます。

Tour V5 の新機能として、Bushnell 独自の BITE 磁気マウントも搭載されているため、Tour V5 をカートのバーに簡単に取り付けることができます。

各部名称

1. BITE 磁石 (写真参照)
2. ヤード / メートルスイッチ
3. 電源 / 照射ボタン
4. 接眼レンズの視度調節ダイヤル
5. 電池収納部
6. スロープスイッチ (シフトモデルのみ)



本機器のデジタルテクノロジーについて

Tour V5 は目に見えない安全な赤外線エネルギーパルスを放射します。Tour V5 は最先端のデジタルマイクロプロセッサーと ASIC チップ (特定用途向け集積回路) を搭載することにより、毎回瞬時にコースの状態を正確に読み取ることができます。洗練されたデジタル技術で、レンジファインダーから目標物までのパルスの往復時間を測定して、即座に距離を計算します。

測定精度

Tour V5 の測定距離の精度は、ほとんどの状況で、 ± 1 ヤード / メートルです。本機器の最大測定距離は、目標物の反射率によって異なります。Tour V5 の最大測定距離は、ゴルフフラッグの場合、400 ヤード / 366 メートル、反射率が高い目標物の場合には 1300 ヤード / 1189 メートルまで測定できます。

注意：目標物の反射特性と、目標物までの距離の測定時の環境条件によって、最大測定距離は変化し、長くなることも、短くなることもあります。目標物の色、表面仕上げ、大きさ、および形状は、すべて反射率と測定距離に影響します。目標物の反射率が高くなるほど、最大測定距離は長くなります。たとえば、白やシルバーの物体は反射率が高く、反射率が最も低い黒と比べて、測定距離が長くなります。光沢仕上げの物は、光沢がない物よりも測定距離が長くなります。目標物が小さいと、大きな目標物よりも距離の測定が難しくなります。目標物までの角度も影響を及ぼします。90度の角度で (目標物の表面が、放出されたエネルギーパルスの経路に対して垂直に) 目標物に向かって照射すると、高い精度の測定結果が得られますが、角度が急になると精度が劣ります。さらに、光の条件 (日光の量など) も、本機器の測定性能に影響します。光が少ないほど (空が雲で覆われたときなど)、本機器の最大測定距離は長くなります。逆に、晴天の日には、本機器の最大測定距離が短くなります。

電池の使用開始 / 交換

電池ケースの蓋のつまみを持ち上げ、蓋が緩むまで反時計回りに回し、蓋を取り外します。蓋を引き出して、脇に置いておきます。

内臓されている電池の使用開始：お買い求めいただいた新しい Tour V5 には CR2 電池が内臓されています。本機器を使用する前に、上記の説明に従って電池の蓋を取り外してください。電池の上にある赤いプラスチックの保護板(右の写真参照)を取り外し、電池の蓋を戻します。

消耗した電池の交換：新しい CR2 3V リチウム電池を、(マイナス側(平らな面)が電池ボックスの蓋に向くように) プラス側から先に電池ボックスに装填したら、蓋を元に戻します。注意：電池は少なくとも6か月に1度交換することをおすすめします。



基本操作

1. Tour V5 を覗きながら、電源 / 照射ボタンを1回押して、ディスプレイを起動してください。ディスプレイのアイコンや数字が不鮮明な場合は、焦点が合うまで、左右のどちらかに接眼レンズを回転させます(下記の「接眼レンズの調節」参照)。
2. 少なくとも5ヤード(4.6m)離れた目標物に(画面の中央にある)照準サークルを合わせ、「直線」距離がディスプレイの下部に表示されるまで、電源 / 照射ボタンを押し続けます。(下記「ディスプレイ・インジケータ」参照) 照準サークルの周囲の十字線が表示されている場合、レーザーが照射されていることを示しています。
3. 測定距離が算出され、表示されたら、電源 / 照射ボタンを放します。照準サークルの周囲の十字線は、電源 / 照射ボタンを放すと消えます(すなわち、レーザー照射は停止しました)。
4. 一度起動すると、ディスプレイは表示されたままとなり、最新の距離測定値が10秒間表示されます。電源 / 照射ボタンを再び押すと、新しい目標物までの距離を測定できます。レーザーが照射される(アクティブな)時間は、最長5秒間です。再度照射するには、電源ボタンを再度押します。

ビジュアルジョルト (VISUAL JOLT®) 搭載 ピンシーカー (PINSEEKER™)

Bushnell 独自のピンシーカー (Pinseeker™) 機能により、より強いシグナルを発する大きな背景の目標物(木など)までの距離を誤って測定することなく、フラッグに的を絞って距離を測定することができます。

目標物までの距離を測定する時に、レーザービームが複数の物体(たとえば、フラッグとその背後の木々)を認識した場合、最も近い物体(フラッグ)までの距離のみが表示されます。ジョルト機能により、本体がビビッと振動して、表示される距離がフラッグまでの距離であることを知らせてくれます。さらにピンシーカー機能によって正しい目標物までの距離の測定が完了すると、ディスプレイ外縁の赤のリング(ビジュアルジョルトインジケータ)がアクティブになります。

レーザービームによって測定範囲内に1つの物体しか認識されない場合があります。その場合、距離は表示されますが、複数の物体が認識されていないためジョルト機能による通知は行われません。

ヒント：電源 / 照射ボタンを押している間、測定する物体を探して本機器をゆっくりと動かしてみてください。また意図的にレーザーを複数の物体に当ててみると、レーザーが認識した一番近くの物体だけを表示していることを確認することができます。本機器の電源が切れると、最後に使用したモードに自動的に戻ります。

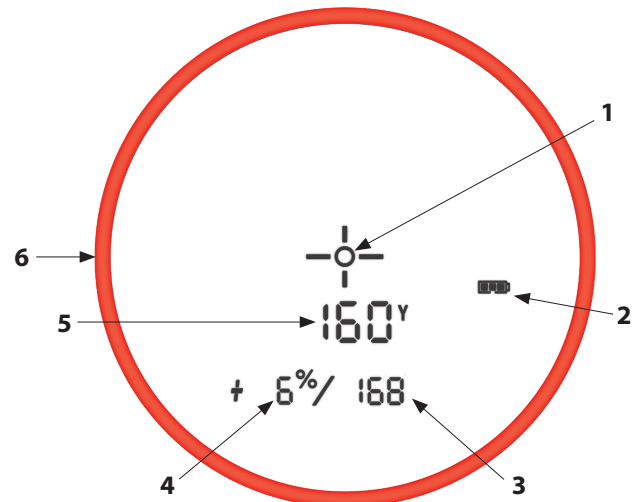
接眼レンズの調節

Tour V5 は迅速に調節可能な接眼レンズ(+/-3.5 ジオプター調節)を搭載しているため、単眼光学系の表示画像に合わせて表示されたデータやアイコンの焦点を合わせることができます。焦点が合うまで、接眼レンズを回転させてください。

ディスプレイのインジケータ




Tour V5 のディスプレイには、次のインジケータが表示されます(右図参照)：

1. 照準サークル(周囲に十字線が表示されている場合は、レーザーが照射されていることを示しています)
2. バッテリー残量
3. 「打つべき」距離*(勾配に基づく)
4. 勾配*(勾配角度%)
5. 直線距離
6. ビジュアルジョルトインジケータリング
*シフトモデルのみ



電池残量インジケータ

電池インジケータ (2) は、電池の残量を示します。:

- ・ フル充電 
- ・ 電池残量 約 2/3 
- ・ 電池残量 約 1/3 
- ・ 電池インジケータが点滅 - 電池を交換してください。交換しないと使用できません。

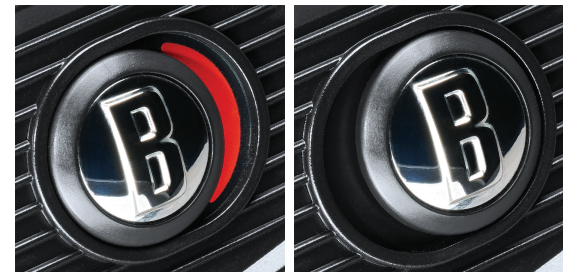
レーザー照射中

照準サークル周囲の十字線は、レーザーが照射されていることを示します。測定距離が得られたら、電源 / 照射ボタンを放します。照準サークルの周囲の十字線は、電源 / 照射ボタンを放すと消えます (レーザー照射は停止しました)。

スロープスイッチ・テクノロジー (TOUR V5 シフトモデル # 201910 のみ)

スロープスイッチ・テクノロジーにより、簡単に Bushnell の特許技術であるスロープ機能のオン / オフを切り替えることができます。これによって、必要な場合、ゴルフコースでスロープ機能を利用し、補正された距離を知ることができ、USGA 準拠デバイスとして、トーナメントでも使用することができます。

赤いスロープインジケータが見えるまで Tour V5 シフト (モデル # 201910) の側面にあるスロープスイッチを左にスライドして (右の写真参照)、スロープ機能を有効にすると、Bushnell の特許技術、スロープ・テクノロジーが表示されます。スロープ +/- モードは、レーザー距離計と内蔵された傾斜計によって得られた距離と勾配から、角度補正距離を自動的に計算します。このデータは、使用クラブとボールの軌道の平均を使用した内部アルゴリズム式に組み入れられます。角度補正距離は、打つべきショットを示しています。(つまり、上げ勾配の場合には、実際の距離より長くなり、下げ勾配の場合には、実際の距離より短くなります)。スロープスイッチを右にスライドさせると、勾配角度補正距離機能がオフとなり、USGA 規則 14-3 に適合します。



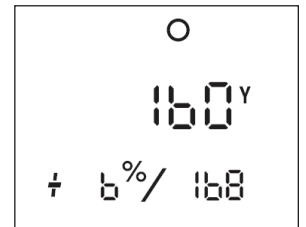
スロープ機能オン

スロープ機能オフ

スロープ +/-™ の使用方法 (TOUR V5 シフトモデル # 201910 のみ)

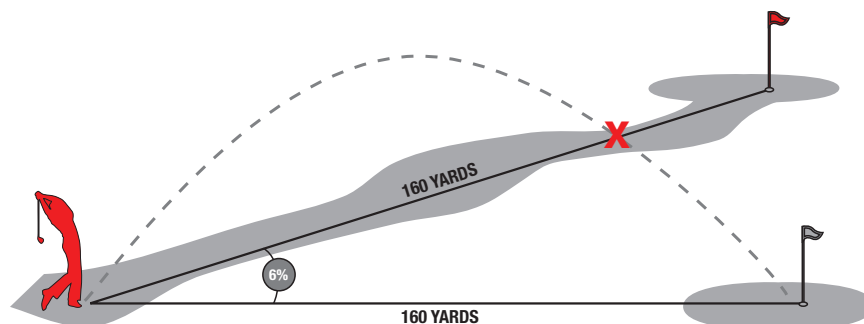
スロープスイッチを「スロープ・オン」の位置まで動かします。ディスプレイに 2 行目の情報が表示され、現在スロープモードになっていることが確認できます。電源 / 照射ボタンを押すと、フラッグなどの物体までの距離が測定されます。距離が表示されたら、電源 / 照射ボタンを放します。電源 / 照射ボタンを放すと、2 行目の基準距離の下に勾配角度と勾配補正距離が表示されます。

例えば、真の距離が 160 ヤードで勾配角度が +6% の場合、勾配補正 (「打つべき」) 距離は 168 ヤードとなります。画面には右図のように表示されます。:



スロープ機能 (SLOPE +/-™) の利点 (TOUR V5 SHIFT)

図の黒いフラッグまでの距離は、160 ヤードです (下図参照)。赤のフラッグまでの距離も 160 ヤードですが、6% の勾配 (上げ勾配) になっています。しかし、このホールを 160 ヤードの距離として、勾配を考慮せずにプレイすると、ボール (X) はホール / フラッグより手前に落ちてしまいます。勾配があるため、168 ヤードとしてショットを打つべきです。これは「打つべき」距離として、直線距離の下に表示されます。



距離の単位の設定 / ジョルトプレビュー

照射 / 電源ボタン (右) を押し、本機器をオンにして、表示されている単位が変わるまで Y/M ボタンを押し続けると、距離の単位 (ヤード <> メートル) を切り替えることができます。

また、ジョルトインジケータ (バイブレーションとディスプレイに表示されるリング) もアクティブになり、目標物に向けてレーザーを照射しなくても、ジョルト・テクノロジーの効果をプレビュー / デモンストレーションできます。

電源 / 照射



ヤード / メートル

BITE 磁気マウント

Tour V5 には強力な BITE 磁石が本体の右側に埋め込まれており、ゴルフカートのバーやフレームにしっかり貼り付けておくことができます。

警告: 本機器の BITE 機能には、ネオジム磁石が使用されています。磁石は、ペースメーカーや植込み型除細動器の動作に影響する可能性があります。このような機器を使用している場合、磁石から十分に離れるようにしてください。このような機器を装着している他の人にも、磁石に近付きすぎないように警告してください。

- ・ 磁石は 80°C (175°F) よりも高い温度にさらされると、吸着力が永久的に失われる可能性があります。
- ・ 磁石は広範囲にわたり強力な磁場を形成します。テレビやノートパソコン、コンピューターのハードドライブ、クレジットカードや ATM カード、データ保存メディア、機械式時計、補聴器、スピーカーに損傷を与える可能性があります。強力な磁場によって損傷を受ける恐れがある機器や物には、距離計を近づけないでください。
- ・ 磁石には強い磁場があり、皮膚や指を挟む可能性があります。本機器を金属バーに貼り付けるときには、ご注意ください。



BITE 磁石



カート
← フレーム

クリーニングおよびお手入れ全般

Bushnell Tour V5 レーザー距離計のレンズは、光透過率を最大限高めるため、フルマルチコートを採用しています。マルチコートの光学レンズであるため、本機器のレンズには特別なお手入れが必要です。適切にレンズのクリーニングを行っていただくため、以下のヒントを参考にしてください。

- ・ レンズに付いた埃やゴミを吹き飛ばします (または、柔らかいレンズ用のブラシを使用します)。
- ・ 汚れや指紋を取り除くために、付属のマイクロファイバーの布で、円を描くように拭きます。粗布を使用したり、過度に擦ったりすると、レンズ表面が傷つき、修復不可能な損傷が生じる可能性があります。レンズの日常のクリーニングには、洗濯できる付属のマイクロファイバー製クリーニングクロスが最適です。レンズに軽く息を吹きかけて湿らせ、マイクロファイバークロスでやさしくレンズを拭いてください。
- ・ さらに徹底的にクリーニングする場合には、カメラレンズ用ティッシュとカメラ用レンズ洗浄液またはイソプロピルアルコールを使用することができます。洗浄液は必ずクリーニングクロスにつけ、レンズには直接つけしないでください。
- ・ 本機器は防水機能がありますが、大雨など、直接水がかかるところにさらされるべきではなく、水、その他の液体の中に浸されると故障の原因となります。

注意: ディスプレイ / 内部コンポーネントの損傷を防ぐため、接眼レンズに直射日光が入らないように注意してください。BITE マグネットを使用して本機器をカートバーまたはフレームに取り付ける場合、接眼レンズが地面に向けられるようにし、太陽の方を向かないように本機器を傾けてください。本機器を使用していないときは、さらに保護するためにケースに保管してください。

トラブルシューティング

レーザー距離計は分解しないでください。許可されていない修理を行った場合、修復不可能な損傷が生じる可能性があり、保証も無効となります。

本体に電源が入らず、ディスプレイが点灯しない場合：

- ・ 電源 / 照射ボタンを押します。
- ・ 電池を確認し、必要に応じて交換します。本体がボタン操作に反応しない場合、良質の CR2 3V リチウム電池に交換します。

本体の電源が切れる (レーザー距離計の電源を入れても、表示が消える) 場合：

- ・ 電池が消耗しているか、品質が劣化しています。新しい 3V のリチウム電池 (CR2) に交換してください。

標的までの距離が得られない場合：

- ・ ディスプレイが点灯していることを確認します。
- ・ 電源 / 照射ボタンが押されていることを確認します。
- ・ 手や指などが、レーザー パルスを送受信する対物レンズ (目標物に最も近いレンズ) を妨害していないことを確認します。
- ・ 電源 / 照射ボタンが押されているときに、本体がぐらついていないことを確認します。

注意：新しい目標物の距離を測定する際に、前回の測定距離を消去する必要はありません。ディスプレイのレチクルを使用して新しい標的に焦点を合わせ、新しい測定距離が表示されるまで電源 / 照射ボタンを押し続けてください。

技術仕様

寸法	1.5 x 4.25 x 3 インチ
重量	227g (8 oz)
測定精度	精度 +/- 1 ヤード
測定可能距離	5 ~ 1300 ヤード / 5 ~ 1189 メートル
望遠倍率	6 倍
対物レンズ口径	22 mm
オプティカルコーティング	フルマルチコート
ディスプレイ	点灯式ジョルトインジケータリング付き LCD
電源	3V リチウム電池 (CR-2)
視野	1000 ヤードで 300 フィート / 1000 メートルで 100 メートル
エクストラロングアイレリーフ	13 mm
射出瞳	3.5mm
付属品	プレミアム専用ケース、CR2 電池



警告：この製品はリチウム電池を使用しています。リチウム電池は間違った使い方をすると、異常発熱し、事故等の問題を引き起こす可能性があります。傷や凹みなどがあるか、外見で老朽化していることが分かる場合、電池を使用しないでください。

FCC に関する表明

本機器は FCC 規則パート 15 を遵守しています。本製品の動作は次の 2 つの条件を満たす必要があります。: (1) 本製品が有害な干渉を引き起こさないこと。(2) 本製品が、望ましくない作動の原因となりうる干渉を含む本製品への干渉をすべて受容しなくてはならないこと。

本機器は FCC 規則パート 15 にしたがって試験され、クラス B のデジタルデバイスの制限に適合しているものだと判断されています。これらの限界値は、住宅での設置における有害な干渉に対し、適切な保護を提供するように定められています。

本機器は、無線周波数エネルギーを生成、使用、および放射する可能性があり、指示に従って設置および使用しないと、無線通信に有害な干渉を引き起こす可能性がありますただし、特定の設置状況で電波障害が起きないという保証はありません。

本機器がラジオまたはテレビの電波の受信に有害な干渉を引き起こす場合は、以下の方法により干渉の是正をお試しください(干渉の有無は、装置の電源のオンオフを切り替えることにより確認できます)。

- ・ 受信アンテナの向きを変えたり、設置場所を変えたりしてください。
- ・ 本機器と受信機の間隔を広げます。
- ・ 受信機が接続されている回路とは異なる回路のコンセントに機器を接続します。
- ・ 販売代理店または経験豊富な無線 TV 技術者に相談してください。



スペースの都合上、説明ラベルについてユーザーマニュアルのここだけに記載されます。

修理点検に関する注意点：

- ・ お客様は電池を交換するために電池のカバーを外すことができます。
- ・ この製品には、ユーザーが自分で修理点検可能な制御機器は含まれていません。
- ・ 本製品は、消費者が開けたり、修正したりしてはなりません。
- ・ 本製品の修理が必要な場合には、製造者に返送しなくてはなりません。

連絡先：Bushnell Holdings, Inc.

9200 Cody, Overland Park KS 66214



FDA 安全性

2019 年 5 月 8 日付のレーザー通知 56 に記載されている IEC60825-1 Ed.3 への準拠を除き、21CFR1040.10 および 1040.11 に準拠しています。

注意 - 本マニュアルに記載されている以外の制御または調整を行ったり、手順を実施したりすると、危険な放射線被ばくが発生する可能性があります。

カナダ産業省への表明：

本機器は ISED のライセンス免除 RSS に準拠しています。本機器の動作は次の 2 つの条件を満たす必要があります。(1) 本機器は有害な干渉を引き起こさないこと、および (2) 本機器は、望ましくない動作の原因となる可能性がある干渉を含め、受信したすべての干渉を許容しなければならないこと。

Le présent appareil est conforme aux CNR d'ISED applicables aux appareils radio exempts de licence. L'exploitation est autorisée aux deux conditions suivantes: (1) le dispositif ne doit pas produire de brouillage préjudiciable, et (2) ce dispositif doit accepter tout brouillage reçu, y compris un brouillage susceptible de provoquer un fonctionnement indésirable.

被ばくに関する表明 / Déclaration d'exposition aux radiations:

本機器は、制御されていない環境に対して定められたカナダ産業省のポータブル RF 暴露制限に準拠しており、このマニュアルに記載されている目的の操作に対して安全です。本製品の使用時に身体から可能な限り遠ざけること、又は、デバイスの出力を低く設定することが可能であればできるだけ低く設定することにより、RF 曝露をさらに削減することができます。

Le produit est conforme aux limites d'exposition pour les appareils portables RF pour les Etats-Unis et le Canada établies pour un environnement non contrôlé.

Le produit est sûr pour un fonctionnement tel que décrit dans ce manuel. La réduction aux expositions RF peut être augmentée si l'appareil peut être conservé aussi loin que possible du corps de l'utilisateur ou que le dispositif est réglé sur la puissance de sortie la plus faible si une telle fonction est disponible.

<http://patents.vistaoutdoor.com/>

電気および電子機器の処分

(EU および EU 以外の欧州各国で個別の収集システムが適用されます。)

本機器には電気 / 電子部品が含まれており、そのため、普通の家庭ゴミとして廃棄することはできません。代わりに、地域で行われるリサイクルのために、それぞれの収集ステーションに廃棄する必要があります。あなたにとって、これは無料です。

機器に交換可能な (充電可能な) 電池が含まれている場合、あらかじめ電池は取り外し、必要に応じて関連する規制に従って廃棄する必要があります (本機器の説明書の各コメントも参照してください)。

このテーマに関する詳細情報は、地域の行政機関、地元の廃棄物収集会社、またはこの機器を購入した店舗にお問い合わせください。



2年間の制限付き保証

お買い求めいただいた Bushnell® ゴルフ用レーザー距離計は、購入日から2年間、材料および製造上の欠陥がないことが保証されます。保証対象となる欠陥の場合、当社の選択により、製品の修理または交換の対応をさせていただきます。その場合、返品送料元払いでお送りください。間違った使い方、不適切な扱い、設置または Bushnell® の認定サービス部以外の者によって行われたメンテナンスが原因で損傷が生じた場合には、保証の対象となりません。

この保証に基づく返品には、以下を同封しなくてはなりません。:

1. 10.00 ドルの小切手 / 為替 (郵送料と手数料分)
2. 返品されるお客様の氏名、住所、および電話番号。
3. 欠陥の説明。
4. 日付入りの購入証明書のコピー。

付属品 (電池、ケース、ストラップなど) を一緒に送らないでください。修理する製品だけをお送りください。輸送中の損傷を防ぐために、頑丈な輸送用の箱に入れ、下記住所宛にお送りください。

米国内の場合の送付先 :
Bushnell® Outdoor Products
Attn.: Repairs
9200 Cody
Overland Park, Kansas 66214

カナダの場合の送付先 :
Bushnell® Outdoor Products
Attn.: Repairs
140 Great Gulf Drive, Unit B
Vaughan, Ontario L4K 5W1

米国またはカナダ以外でお買い求めいただいた製品に適用される保証の詳細については、お客様の国内の代理店にお問い合わせください。

この保証は、お客様に特別な法的権利が与えられます。
国によって異なるその他の権利が与えられる場合があります。

©2020 Bushnell® Outdoor Products

恭喜您购买倍视能 Tour V5 激光测距仪，用 BITE 升级您的运动体验。Tour V5 是一款激光精密测距光学设备，可使用多年。本用户指南介绍您的激光测距仪的特性和操作及如何对其进行维护，可以帮助您获得最佳性能。为确保最佳性能和使用寿命，在使用 Tour V5 之前，请仔细阅读本说明。



警告：和任何激光设备一样，不建议用放大镜直接长时间直视射出脉冲。

简介

Bushnell® Tour V5 高品质激光测距仪包含数字技术和涡轮处理器，可达到 5-1300 码 (5-1189 米) 的测距范围。Tour V5 可实现极速测量，精度达到 ± 1 码。

Tour V5 具备采用 JOLT 的 PinSeeker™ 技术 (可以使高尔夫球员在没有背景目标的情况下，轻松快速瞄准旗杆) 和超级光学性能。JOLT 采用先进的“可视化 JOLT”。现在当 JOLT 振动时有一个红色的圆圈闪动，给予高尔夫球手更好的反馈和自信，确信已经锁定旗杆。

Tour V5 还新增加了倍视能特有的 BITE 磁性支架，可以轻松地将 Tour V5 安装在球车握把上。

零部件指南

1. BITE 磁体 (见插图)
2. 码 / 米单位切换
3. 电源 / 发射按钮
4. 目镜屈光度旋钮
5. 电池盒
6. 斜坡开关 (仅限 SHIFT 型号)



我们的数码科技的工作原理

Tour V5 发射对人眼无害的不可见红外能量脉冲。Tour V5 先进的数字微处理器和 ASIC 芯片 (专用集成电路) 可确保每次都能瞬间读取准确的数据。先进的数字科技将测量每道脉冲在测距仪和目标之间往返的时间，从而瞬间计算出距离。

测距精度

在大多数情况下，这款 Tour V5 的测距精度为 ± 1 码 / 米。该设备的最大测距距离取决于目标的反射率。Tour V5 可测量 400 码 / 366 米开外的高尔夫球旗，对高反射物体的最大测量距离可达 1300 码 / 1189 米。

注：根据具体目标的反射性，当时的环境因素以及物体的测量距离不同等，最大距离可能会略低或略高。目标的颜色、表面光洁度、大小和形状都会影响反射率和测距距离。目标的反射率越大，测量距离越长。例如，白色或银色物体的反射性最强，而黑色的反射性最弱，因此前者的测量距离更长。发光或光滑表面会比暗色表面的测量距离更长。小目标会比大目标更难测距。目标的角度也会产生影响。90 度角照射目标 (目标表面与发射脉冲的飞行轨迹相垂直) 则会有较好的测距效果，相反，如果呈锐角，则会影响测距效果。此外，光照条件 (如日光强度) 会影响设备的测距能力。光线较弱 (如阴天)，设备的最大测距范围就会远一些。相反，光线较好的情况下，设备的最大测距范围会降低。

激活 / 更换电池

提起电池盖耳片，然后逆时针旋转直至其松动，取下电池盖。取下电池盖将其放在一边。

激活安装的电池：您的新 Tour V5 中预先安装了一块 CR2 电池。使用测距仪前，按照上述说明取下电池盖。取下电池上部的红色塑料保护板（见右侧照片），然后盖上电池盖。

更换电量低的电池：首先将一块新的 CR2 3 伏锂离子电池插入电池盒负极端（平的一端）（正极端向外朝向电池盖），然后盖上电池盖。注意：建议至少每 6 个月更换一次电池。



基本操作

1. 浏览 Tour V5 时，按下电源 / 发射按钮一次即可激活显示屏。如果显示图标和数字模糊不清，向任何一个方向转动目镜直至聚焦（参见下文“调整目镜”）。
2. 将瞄准环（位于显示屏中间）对准至少 5 码外的目标，按住电源 / 发射按钮，直到“视线”距离数据显示在显示屏底部附近（参见下面的“显示屏指示灯”）。瞄准圈周围的十字线表明正在发射激光。
3. 获得并显示距离数据后，可以松开电源 / 发射按钮。电源 / 发射按钮一旦松开，瞄准圈周围的十字线则会消失（例如，激光不再发射）。
4. 激活后，显示屏将保持可见状态，并继续显示最近一次距离测量 10 秒。您随时可以再次按下电源 / 发射按钮，对新目标进行测距。激光的最大发射（活跃）时间为 5 秒。要再次发射，请再次按下此按钮。

使用带可视 JOLT® 的 PINSEEKER™

利用倍视能独有的 Pinseeker™ 功能，可以可靠地定位目标，不会无意中获取信号更强的大背景目标（比如树木）的距离。

在对目标测距时，如果激光柱识别出不止一处物体（例如旗杆及其背后的一组树木），则只显示与最近的物体（旗杆）之间的距离。Jolt 技术能够提供两次短促的振动以确认显示的距离是到旗杆的距离，并且显示屏外缘的红色光圈（可视 JOLT 指示灯）激活，确认激光已通过 Pinseeker 测量与正确的目标之间的距离。

也可能有激光柱在途中只识别出一个物体的情况。在这种情况下，系统将显示与该物体的距离，但由于有多个物体未被识别，则不会提供 JOLT 指示。

提示：在按下电源 / 发射按钮时，可以将设备在各个物体间缓慢移动并刻意让激光命中多个物体，以确保只显示激光识别出的其中最最近的那个物体。关闭设备后，设备将总是默认恢复到上次所用的模式。

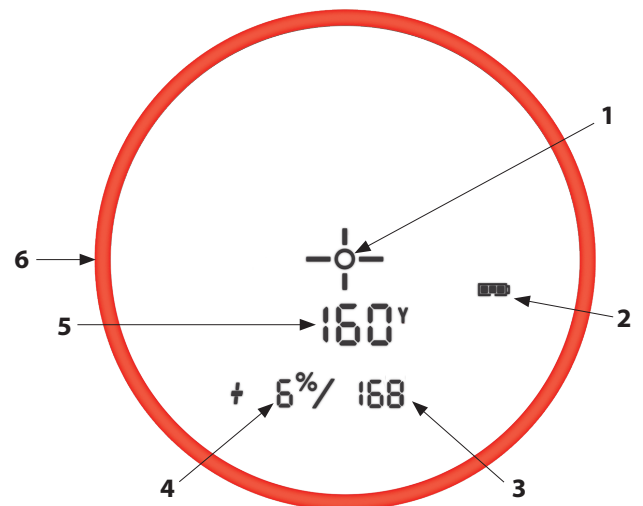
调整目镜

Tour V5 配备了可调快速对焦目镜（+/- 3.5 屈光度调整），可以相对于单筒镜中看到的图像聚焦显示的数据和图标。只需旋转目镜直至显示屏焦点对准。

显示屏指示灯




Tour V 显示屏包含下列指示灯（请参阅右侧的显示屏图像）：

1. 瞄准圈（周围的十字线表明正在发射激光）
 2. 电池电量
 3. “击球”距离*（基于倾斜度）
 4. 斜坡*（% 倾斜度）
 5. 视线距
 6. JOLT 目视指示圈
- * 仅限 Shift 型号



电池电量指示灯

电池指示灯 (2) 显示剩余电量：

- 已充满电 
- 剩余大约 2/3 电量 
- 剩余大约 1/3 电量 
- 电池指示灯闪烁 – 电池需要更换，设备将不可操作。

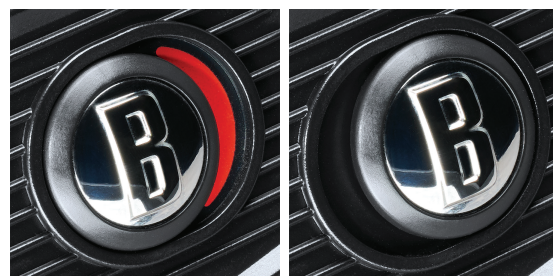
激活激光

瞄准圈周围的十字线表明正在发射激光。获得距离数据后，您可以松开电源 / 发射按钮。一旦松开电源 / 发射按钮，瞄准环周围的十字线就会消失（即，不再发射激光）。

斜坡开关技术（仅限 TOUR V5 SHIFT 型号 201910）

斜坡开关技术使高尔夫球员轻松开启或关闭倍视能的斜坡功能，该功能已获得专利。这将方便高尔夫球员在需要时使用斜坡功能以获得球场周围的补偿距离，并且这台设备符合美国高尔夫球协会的规则，需要时可以在锦标赛中使用。

在 Tour V5 Shift 侧向左滑动斜坡开关（型号 201910），红色的斜坡指示灯显示（见右图），以此启动斜坡功能，此时会显示倍视能的专利斜坡技术。斜坡 +/- 模式可以根据激光测距仪和内置倾角仪测量的距离和斜坡角度自动计算角度补偿距离。这一数据随后会与处理一般球棒试用情况和球轨迹的内部算术公式结合使用。角度补偿距离可以指导球手如何击球（即如果向上倾斜就加大距离，而向下倾斜则减少距离）。向右滑动斜坡开关，随着斜坡角度补偿距离功能移除，此时您的 Tour V5 符合美国高尔夫球协会规则 14-3。



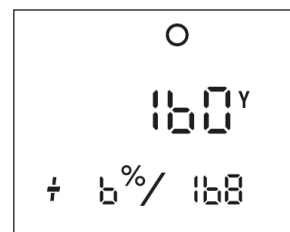
斜坡启用

斜坡关闭

如何使用 SLOPE +/-™（仅限 TOUR V5 SHIFT 型号 201910）

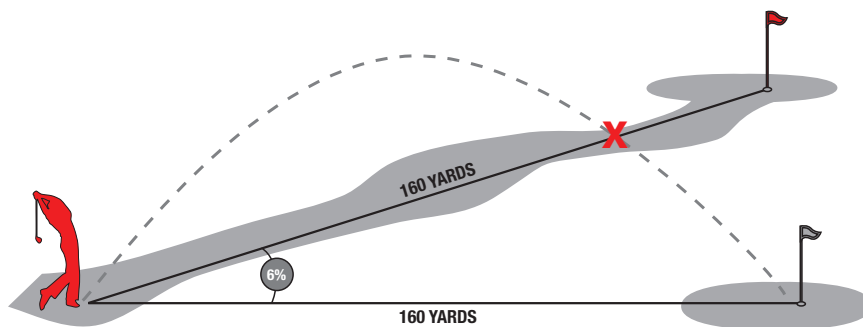
将斜坡开关移到“斜坡启用”位置。您将看到第二行信息出现在显示屏上，确认您现在处于斜坡模式。按下电源 / 发射按钮，获取旗帜或其他物体的距离。在显示距离后，松开电源 / 发射按钮。一旦松开电源 / 发射按钮，坡度和补偿距离将显示在标准距离下的第二行数值中。

例如，如果真实距离是 160 码，但在有 +6% 斜坡时，斜坡角度补偿（“击球”）距离为 168 码。显示屏显示如下（右图）：



SLOPE +/-™ 的优势 (TOUR V5 SHIFT)

下图中与黑色旗杆之间的距离是 160 码。它与红色旗杆之间的距离也是 160 码，不过是位于斜坡上且坡度为 6%（上斜坡）。但是，如果高尔夫球员想按照 160 码来打这个洞，但不考虑坡度，则球 (X) 将到不了洞口 / 旗杆。由于斜坡，击球距离应该为 168 码。该距离将作为“击球”距离显示在视线距下方。



设置距离单位 / JOLT 预览

要选择距离单位（码 <> 米），请按电源 / 发射（右侧）打开设备，然后按住 Y/M 按钮直到显示屏上单位发生变化。

同时还会激活 JOLT 指示灯（显示屏中的振动和可视光圈），可以让您在不对目标发射激光的情况下预览 / 演示 JOLT 技术的效果。



BITE 磁性支架

Tour V5 还在外壳右侧配备一个强大的 BITE 磁性支架，可以将设备牢固地固定在高尔夫球车握把或框架上。

警告：设备上自带的 Bite 功能中包含一块钕磁体。磁体可能会影响心脏起搏器和植入心脏除颤器的正常工作。如果您使用这些设备，请与磁体保持足够距离。警告携带这些设备的其他人员不要太靠近磁体。

- 如果暴露温度超过 175° F (80° C)，磁体还可能永久失去部分吸附力。
- 磁铁会产生大范围的强磁场。可能损坏电视和笔记本电脑、计算机硬盘、信用卡和 ATM 卡、数据存储介质、机械手表、助听器和扬声器。本设备应远离可能被强磁场损坏的设备和物体。
- 磁体有强磁场，可能会夹紧皮肤和手指。在将设备固定到金属握把上时，请小心操作。



清洁和常规保养

为了获得最高的透光率，这款倍视能 Tour V5 激光测距仪的镜头进行了多层完全镀膜。与任何多层镀膜的光学元件一样，清洁透镜时必须格外小心。按照以下提示进行镜头的正确清洁：

- 吹去镜头上的灰尘或残留物（或使用柔软的镜头刷）。
- 若要清除污垢或指纹，请用随附的微纤维布清洁，以画圈方式摩擦。使用质地粗糙的布或不必要的摩擦会划伤镜头表面，最终导致永久性损坏。随附的可清洗超细纤维清洁布最适合光学器材的日常清洁。只需在镜头上轻轻呵气产生少量水汽，然后使用超细纤维布轻拭镜头即可。
- 要进行更彻底的清洁，可使用相机镜头纸和相机镜头清洁剂或异丙醇。务必将清洁剂蘸在清洁布上 – 千万不可直接涂在镜头上。
- 该测距仪可防水，但不得暴露在大雨中或直接淋水，并且不能浸没在水或其他液体中。

小心：请注意避免不要让阳光直射目镜，以防损坏显示屏 / 内部组件。在使用 BITE 磁体将设备固定到球车握把或框架上时，倾斜设备使目镜朝向地面，不要向上朝着太阳。在不使用设备时，请将其存放在盒子中以提供额外保护。

故障排除

切勿拆卸您的激光测距仪。未经授权的服务尝试可能导致无法修复的损坏，这也将导致保修失效。

如果设备无法开启，显示屏不亮：

- 按下电源 / 发射按钮。
- 检查电池，必要时进行更换。如果按键时设备没有反应，请更换质量较好的 CR2 3 伏锂电池。

如果设备电量低（试图打开激光时，显示屏为空白）：

- 电池电量低或质量差。更换新的 3 伏锂电池 (CR2)。

如果无法获得目标距离：

- 确认显示屏显示正常。
- 确保电源 / 发射按钮已经按下。
- 确保在发射和接收激光脉冲时，物镜（距离目标最近的镜头）没有被手或手指之类的物体阻挡。
- 确保按下电源 / 发射按钮时设备保持稳定。

注意：在对下一个目标进行测距前，不必清除上一次的测距数据。只需用显示十字线瞄准新目标，按下电源 / 发射按钮并保持，直到新的距离读数显示为止。

技术规格

尺寸	1.5 x 4.25 x 3 英寸
重量	8 盎司
测距精度	精确到 +/- 1 码
量程	5-1300 码 / 5-1189 米
放大倍数	6x
物镜直径	22 毫米
光学镀膜	全面多层镀膜
显示	带发光 Jolt 指示环的 LCD
电源	3 伏锂电池 (CR-2)
视野	300 英尺 @ 1000 码 / 100 米 @ 1000 米
超长出瞳距离	13 毫米
出瞳	3.5 毫米
内含商品	优质挎包和 CR2 电池



警告：本产品使用锂电池。如果使用不当，锂电池可能过热并造成损坏。请勿使用损坏或有实际磨损迹象的电池。

FCC 声明

本设备符合《FCC 条例》第 15 部分的规定。操作必须满足以下两个条件：(1) 本装置不会产生有害干扰，以及 (2) 本装置必须接受任何干扰，包括可能导致意外操作的干扰。

本设备已通过测试，符合美国联邦通讯委员会 (FCC) 规定第 15 部分对 B 类数码设备的限制要求。这些限制要求旨在对居住环境给予合理的保障，防止有害干扰。

本设备会产生、使用并可能发射无线频率能量，如果没有按照有关注意事项安装和使用，可能会对无线通信造成有害干扰。但我们并不保证在特定安装过程中，不会发生这种干扰。

如果本设备对无线电或电视信号接收造成有害干扰（可以通过关闭再打开设备来确定），鼓励用户采取以下一项或多项措施解决干扰问题：

- 调整或重新放置接收天线。
- 增加设备和接收器之间的间隔距离。
- 将设备连接到与接收器电路不同的插座上。
- 咨询经销商或经验丰富的无线电 / 电视技术人员寻求帮助。



由于空间有限，说明标签在用户手册中仅出现在此处。

维护说明：

- 用户可以打开电池盖更换电池。
- 本产品没有任何用户可维修的控件。
- 用户不得打开或修改本产品。
- 本产品必须返厂维修。

联系方式：**Bushnell Holdings, Inc.**
9200 Cody, Overland Park KS 66214



美国食品药品监督管理局 (FDA) 安全规定

符合 21CFR1040.10 和 1040.11，但不符合 IEC60825-1 Ed.3.，如 2019 年 5 月 8 日的 Laser Notice 56 中所述。

小心：不按本手册要求使用控件、调整或执行程序可能导致有害的辐射暴露。

加拿大工业部声明：

此设备符合 ISED 的免牌照 RSS。操作必须符合以下两个条件：(1) 本设备不会产生有害干扰，以及 (2) 本设备必须接受任何干扰，包括可能导致意外操作的干扰。

Le présent appareil est conforme aux CNR d'ISED applicables aux appareils radio exempts de licence. L'exploitation est autorisée aux deux conditions suivantes: (1) le dispositif ne doit pas produire de brouillage préjudiciable, et (2) ce dispositif doit accepter tout brouillage reçu, y compris un brouillage susceptible de provoquer un fonctionnement indésirable.

Radiation Exposure Statement / Déclaration d'exposition aux radiations :

此设备符合加拿大工业部规定的非受控环境便携式 RF 暴露限制，可安全地用于本手册中描述的既定操作。如果产品尽量远离用户身体，或者使用相应功能为设备设置较低的输出功率，则可进一步减少 RF 暴露。

Le produit est conforme aux limites d'exposition pour les appareils portables RF pour les Etats-Unis et le Canada établies pour un environnement non contrôlé.

Le produit est sûr pour un fonctionnement tel que décrit dans ce manuel. La réduction aux expositions RF peut être augmentée si l'appareil peut être conservé aussi loin que possible du corps de l'utilisateur ou que le dispositif est réglé sur la puissance de sortie la plus faible si une telle fonction est disponible.

<http://patents.vistaoutdoor.com>

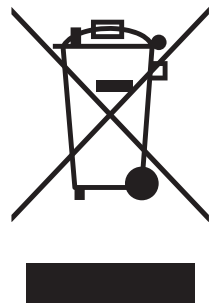
电气和电子设备的处置

(适用于具有单独收集系统的欧盟和其他欧洲国家)

此设备包含电气和 / 或电子零件，因此不得作为普通生活垃圾处理，而应将其放置在社区提供的相应回收点进行回收。对您来说，这是免费的。

如果设备包含可更换（可充电）电池，则也必须先将其取出，然后再根据相关规定进行处置（如果需要，请按照本装置说明中的相应说明进行处置）。

有关此主题的更多信息，可从您的社区管理部门、当地的废物收集公司或购买此设备的商店中获得。



两年有限保修

自购买之日起，倍视能高尔夫激光测距仪享有两年期材料和工艺缺陷保修。在此期间如发现产品问题，如您将产品退回并预付邮费，我们将酌情对产品进行维修或更换。该保修范围不包括因使用、操作、安装不当，或未经倍视能授权的维修人员进行修理造成的损坏。

该保修条款下的任何退货必须包含以下两项：

1. 金额为 10.00 美元的支票 / 现金订单以支付邮费和手续费。
2. 产品退货的联系人姓名、地址和日间电话号码。
3. 缺陷说明。
4. 购买日期的购买凭证原件。

请勿发送配件（电池、外壳、皮带等），只寄送需要维修的产品。

产品需要用结实的货运纸箱进行包装，以防在运输过程中损坏，并寄送到如下地址：

在美国，请发送至：

Bushnell® Outdoor Products

Attn.: Repairs

9200 Cody

Overland Park, Kansas 66214

在加拿大，请发送至：

Bushnell® Outdoor Products

Attn.: Repairs

140 Great Gulf Drive, Unit B

Vaughan, Ontario L4K 5W1

在美国或加拿大以外地区购买的产品，请联系当地经销商了解有关保修事宜。

本保修条款赋予您特定的合法权利。
根据国家 / 地区不同，您可能还有其他权利。

©2020 倍视能户外产品

Bushnell® Tour V5 레이저 거리 측정기 구매와 함께 “BITE”로 게임을 업그레이드하신 것을 축하합니다. Tour V5는 정밀한 레이저 거리 측정용 광학 기기로, 오랫동안 변함없는 성능을 제공합니다. 이 구매자 가이드에는 사용자가 최상의 성능을 제대로 활용할 수 있도록 기능 및 작동법은 물론 거리 측정기의 취급 방법에 대한 설명이 담겨 있습니다. 최상의 성능과 지속적인 사용을 위해 Tour V5 사용 전에 본 지침을 반드시 읽어 보시기 바랍니다.



경고: 여느 레이저 기기와 마찬가지로, 확대 렌즈를 통해 레이저를 오랫동안 직접 보는 것은 좋지 않습니다.

소개

Bushnell® Tour V5는 5~1,189m(5~1,300yd)의 거리 측정이 가능한 디지털 기술과 터보 프로세서로 구성된 고급 프리미엄 레이저 거리 측정기입니다. Tour V5는 매우 빠른 거리 측정과 ±1yd의 정확도를 자랑합니다.

Tour V5에는 JOLT와 PinSeeker™ 기술이 탑재되어, 그라운드에서 주변 타깃에 영향을 받지 않고 깃발에 쉽고 빠르게 영점을 맞출 수 있으며 광학 특성이 매우 우수합니다. JOLT는 모든 새로운 “시각적 JOLT”로 급격한 진보를 이루었습니다. 이제 JOLT 진동 시 붉은색 링이 깜박여 깃발 고정 사실을 골퍼에게 보다 확실하게 피드백 전달할 수 있습니다.

또한, Tour V5를 카드 봉 위에 쉽게 거치할 수 있도록 Bushnell 특점의 BITE 자석 거치대가 Tour V5에 새로이 추가되었습니다.

부품 안내

1. BITE 자석(삽입된 사진 참조)
2. 야드/미터 스위치
3. 전원/발사 버튼
4. 접안렌즈 디옵터 다이얼
5. 배터리 함
6. Slope 스위치(Shift 모델만 해당)



부시넬의 디지털 기술 작동 방식

Tour V5는 눈에 안전한 비가시 적외선 에너지 반송파를 방출합니다. Tour V5의 첨단 디지털 마이크로프로세서와 ASIC(Application-Specific Integrated Circuit) 칩이 매번 즉각적으로 정확하게 판독값을 산출합니다. 정교한 디지털 기술로 각 파동이 기기와 타깃을 오가는 시간을 측정해 거리를 즉시 계산합니다.

거리 측정 정확도

Tour V5는 거의 모든 환경에서 ±1yd/m의 거리 측정 정확도를 자랑합니다. 기기의 최대 측정 거리는 타깃의 반사율에 따라 달라집니다. Tour V5는 366m(400yd) 거리의 골프 깃발까지의 거리를 측정할 수 있으며, 반사율이 높은 물체인 경우에는 최대 1,189m(1300yd)까지도 가능합니다.

참고: 특정 타깃의 반사성과 거리 측정 시의 환경 조건에 따라 최대 거리가 더 길어지기도 하고 짧아지기도 합니다. 타깃의 색상, 표면 마감, 크기 및 형태 모두 반사율과 거리에 영향을 미칩니다. 타깃의 반사율이 클수록 측정 거리가 길어집니다. 예를 들어 흰색이나 은색 물체는 반사율이 높아 반사율이 가장 낮은 검정색보다 측정 거리가 깁니다. 반짝이거나 광이 나는 표면의 경우 그렇지 않은 것보다 측정 거리가 길고, 작은 타깃은 큰 것보다 거리 측정이 어렵습니다. 타깃과의 각도 역시 영향을 미칩니다. 90도 각도로 타깃에 에너지 파동을 쏘면(타깃 표면이 에너지 파동 경로에 직각이 되어) 측정 거리가 길어지는 반면, 급경사각이 클 경우 측정 거리가 짧아집니다. 또한 조명 환경(예: 일조량)도 기기의 거리 측정 역량에 영향을 미칩니다. 흐린 날씨처럼 조도가 낮은 환경에서는 최대 측정 거리가 늘어나고, 반대로 해가 짙은 날에는 최대 측정 거리가 줄어듭니다.

배터리 작동/교체

배터리 덮개 탭을 위로 올린 다음 헐거워질 때까지 반시계방향으로 돌려서 배터리 덮개를 빼냅니다. 빼낸 덮개를 한쪽으로 치워 놓습니다.

장착된 배터리 작동하기: Tour V5 새 제품에는 CR2 배터리가 미리 설치되어 있습니다. 거리 측정기를 사용하기 전에 위에 설명된 대로 배터리 덮개를 빼냅니다. 배터리 위쪽의 붉은색 플라스틱 보호 디스크(우측 사진 참조)를 제거한 다음 배터리 덮개를 다시 끼웁니다.

방전된 배터리 교체하기: 새 CR2 3볼트 리튬 배터리를 배터리함에 양극이 먼저 들어가게("평평한" 음극 면이 배터리 덮개 쪽을 향하도록) 넣은 다음 배터리 덮개를 다시 끼웁니다. 참고: 배터리는 적어도 6개월에 한 번씩 교체하는 것이 좋습니다.



기본 작동법

1. Tour V5를 통해 보면서 전원/발사 버튼을 눌러서 디스플레이를 활성화합니다. 디스플레이 아이콘과 숫자가 흐릿할 경우 초점이 맞을 때까지 접안렌즈를 이쪽 저쪽으로 돌립니다(아래의 "접안 렌즈 조정" 참고).
2. 디스플레이 중앙에 있는 조준 기호를 최소 4.6m(5yd) 이상 떨어진 타깃 위에 놓고, 디스플레이 하단 근처에 "시선 방향"의 거리가 표시될 때까지 전원/발사 버튼을 길게 누릅니다(아래의 "디스플레이 표시"를 확인하세요). 조준 기호 주위의 십자선은 레이저가 전송되고 있다는 것을 나타냅니다.
3. 거리가 측정되어 표시되면 전원/발사 버튼에서 손을 떼도 됩니다. 전원/발사 버튼에서 손을 떼면 조준 기호 주위의 십자선이 사라집니다(예: 레이저가 더 이상 전송되지 않음).
4. 활성화된 디스플레이는 10초간 활성화 상태를 유지하면서 마지막으로 측정한 거리를 표시합니다. 언제든지 전원/발사 버튼을 다시 눌러서 새로운 타깃의 거리를 측정할 수 있습니다. 레이저는 최대 5초 동안 전송(발사)됩니다. 레이저를 다시 쏘려면 버튼을 다시 누릅니다.

VISUAL JOLT® 기능의 PINSEEKER™ 이용하기

Bushnell의 독점적인 Pinseeker™ 기능을 사용하면 신호 강도가 강한 커다란 주변 타깃(예: 나무)까지의 거리를 실수로 측정하지 않으면서 깃발을 안정적으로 조준할 수 있습니다.

타깃까지의 거리를 측정할 때, 레이저 빔에 둘 이상의 물체(예: 깃발과 그 뒤의 나무들)가 인지될 경우, 더 가까운 물체(깃발)의 거리만 표시됩니다. JOLT 기술은 두 번의 짧은 진동을 일으켜 표시된 거리가 깃발까지의 거리임을 확인하고, 디스플레이의 바깥쪽 가장자리 둘레에 붉은 링(시각적 JOLT 표시기)이 활성화되어 레이저가 Pinseeker를 통해 올바른 타깃 거리가 측정되었음을 확인합니다.

레이저 빔이 경로에서 하나의 물체만 포착하게 되는 경우도 있습니다. 이 경우 거리가 표시되지만 둘 이상의 물체가 포착되지 않았기 때문에 JOLT 표시가 제공되지 않습니다.

도움말: 전원/발사 버튼을 누른 상태에서 기기를 한 물체에서 다른 물체로 천천히 옮기면 레이저가 여러 물체를 거쳐 인지한 물체 중 가장 가까운 거리에 있는 물체만 표시합니다. 기기 전원을 끄면 단위는 항상 최근 사용한 모드로 돌아갑니다.

접안렌즈 조정

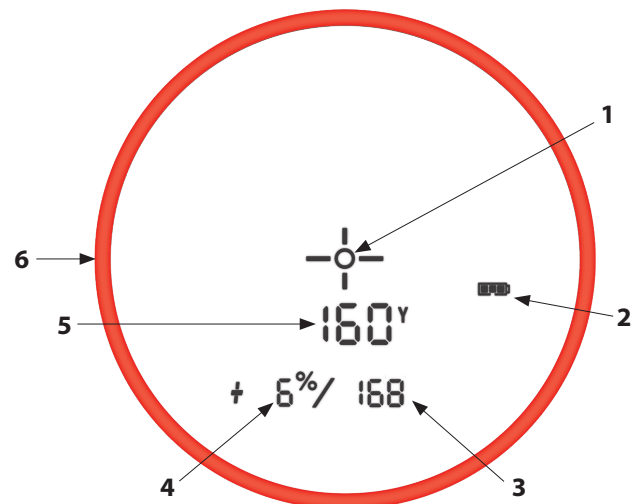
Tour V5에는 조정이 가능한 Fast Focus 접안렌즈(+/- 3.5 다이옵터 조정)가 장착되어 있어 단안 광학 기기에서 본 이미지와 관련하여 표시된 데이터와 아이콘에 초점을 맞출 수 있습니다. 디스플레이의 초점이 맞을 때까지 접안 렌즈를 돌리기만 하면 됩니다.

디스플레이 표시

Tour V5 디스플레이에는 다음과 같은 표시기가 포함되어 있습니다(우측의 디스플레이 이미지 참조):

1. 조준 기호(주위의 십자선은 레이저 전송을 의미)
2. 배터리 레벨
3. "Play As" 거리(Slope 기준)
4. Slope*(% 정도)
5. 시야 거리선
6. 시각적 JOLT 표시기 링

*Shift 모델만 해당



배터리 잔량 표시등

배터리 표시등(2)에는 잔량 레벨이 다음과 같이 표시됩니다.

- 완전 충전
- 배터리 잔량 약 2/3
- 배터리 잔량 약 1/3
- 배터리 표시등 깜박임 - 배터리를 교체해야 하며 장치를 작동할 수 없습니다.

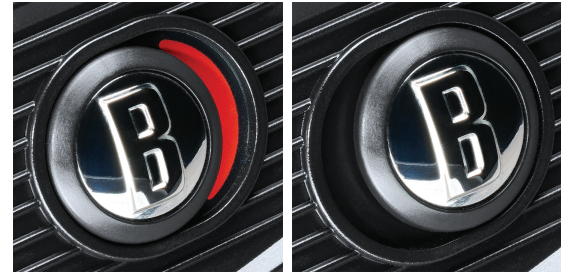
활성 레이저

조준 기호 주위의 십자선은 레이저가 전송되고 있음을 나타냅니다. 거리가 포착되면 전원/발사 버튼에서 손을 떼도 됩니다. 전원/발사 버튼에서 손을 떼면 기호 주위의 십자선이 사라집니다(예: 레이저가 더 이상 전송되지 않음).

SLOPE 스위치 테크놀로지(TOUR V5 SHIFT 모델 번호 201910만 해당)

슬로프 스위치 기술을 통해 골퍼는 Bushnell의 특허 받은 Slope 기능을 쉽게 켜고 끌 수 있습니다. 골퍼가 원할 때 Slope를 활용하여 편리하게 코스 주위의 보정 거리를 파악할 수 있고, 필요에 따라 토너먼트 경기에서는 합법적으로 USGA 규격 장치를 사용할 수 있습니다.

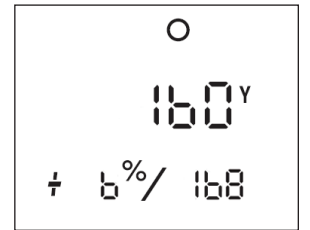
Tour V5 Shift (모델 번호 201910) 측면의 Slope 스위치를 왼쪽으로 밀어서 빨간 Slope 표시등이 표시되도록 하여 Slope 기능을 활성화하면(우측 사진 참조) Bushnell의 특허 받은 Slope 기술이 표시됩니다. Slope +/- 모드는 레이저 거리 측정기와 내장된 경사계로 측정된 거리와 경사를 기반으로 범위 보정각을 자동으로 계산합니다. 그런 다음 이 데이터는 평균 클럽 사용 및 공 궤적을 다루는 내부 알고리즘 공식과 결합됩니다. 범위 보정각은 샷 플레이 방향을 제공합니다(예: 오르막일 경우 거리 추가, 내리막일 경우 거리 차감). Slope 스위치를 오른쪽으로 밀면 Tour V5가 USGA 규칙 제14-3항을 준수하여, 경사면 보정 거리 측정 기능이 제거됩니다.



SLOPE +/-™ 이용 방법(TOUR V5 SHIFT 모델 번호 201910만 해당)

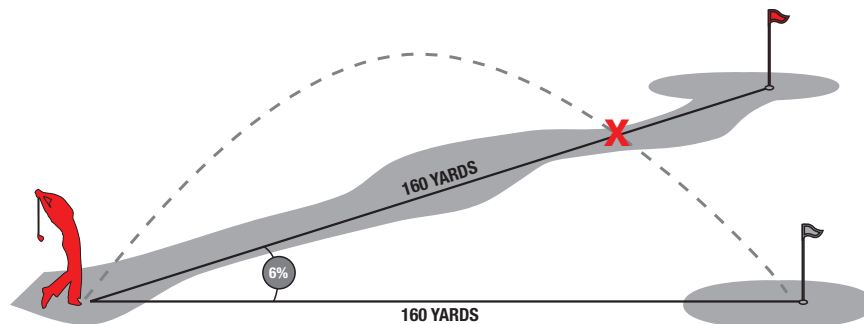
슬로프 스위치를 "Slope On" 위치로 옮깁니다. 디스플레이에 두 번째 행의 정보가 표시되어 현재 슬로프 모드에 있음을 확인합니다. 깃발이나 기타 물체까지의 거리를 포착하려면 전원/발사 버튼을 누릅니다. 범위가 표시되면 전원/발사 버튼에서 손을 뗍니다. 전원/발사 버튼에서 손을 떼면 정도 비율과 보정 범위가 두 번째 숫자 줄의 표준 거리 아래에 표시됩니다.

예를 들어, 실제 거리가 160야드이지만 경사가 +6%인 경우, 경사 보상("play-as") 거리는 168야드입니다. 디스플레이에는 오른쪽과 같이 표시됩니다.



SLOPE +/-™의 장점 (TOUR V5 SHIFT)

그림에서 검은 깃발까지의 거리(아래 참조)는 160야드입니다. 붉은 깃발까지는 6% 정도의 경사면에 있지만(오르막길) 마찬가지로 160야드 거리입니다. 하지만 이 홀을 160야드로 플레이하면 경사가 계산에 포함되지 않아서 공(X)이 홀/깃발에 미치지 못하게 됩니다. 경사면이기 때문에 168야드 샷으로 플레이해야 합니다. 이는 시야 거리선 아래에 "play as" 거리로 표시됩니다.



거리 단위/JOLT 미리보기 설정

거리 단위(야드<>미터)를 선택하려면 발사/전원(오른쪽)을 눌러서 단위를 켜고, 화면에서 단위가 바뀔 때까지 Y/M 버튼을 길게 누릅니다.

이렇게 하면 JOLT 표시기(디스플레이의 진동 및 비주얼 링)도 활성화되어 레이저를 타킷에 쏘지 않고도 JOLT 기술의 효과를 미리보기/시연할 수 있습니다.



BITE 자석 거치대

Tour V5는 하우스의 오른쪽 옆면에 부착된 강력한 BITE 자석이 특징이며, 이를 이용해 기기를 골프 카트 봉이나 차체에 안전하게 부착할 수 있습니다.

⚠ 경고: 네오디뮴 자석이 들어 있는 기기에 Bite 기능이 포함되어 있습니다. 자석은 심박 조율기와 임플란트식 심장 제세동기의 기능에 영향을 미칠 수 있습니다. 이러한 장치를 사용 중인 경우 자석과 충분한 거리를 두십시오. 이러한 장치를 달고 있는 다른 이에게도 자석에 너무 가까이 하지 않도록 경고합니다.

- 자석은 섭씨 80도(화씨 175도) 이상의 온도에 노출될 경우 자력의 일부가 영구적으로 손실될 수 있습니다.
- 자석은 강력한 광범위 자기장을 생성합니다. 따라서 TV와 노트북, 컴퓨터 하드 드라이브, 신용카드 및 ATM 카드, 데이터 저장 매체, 기계식 시계, 보청기 및 스피커를 손상시킬 수 있습니다. 강한 자기장으로 인해 손상될 수 있는 장치와 물체를 가까이 두지 마십시오.
- 자석에는 피부와 손가락이 꼭 끼어 아플 정도의 강한 자기장이 있습니다. 장치를 금속 봉에 부착할 때 주의하십시오.



세척 및 일반적인 취급 방법

Bushnell Tour V5 레이저 거리 측정기의 렌즈는 최상의 투광률을 위해 완전 다중 코팅되었습니다. 다른 다중 코팅 렌즈와 마찬가지로 렌즈 세척 시 특별히 주의해야 합니다. 올바른 렌즈 세척을 위해 다음 조언을 따르십시오.

- 렌즈에 묻은 티끌이나 파편을 불어 버리거나 부드러운 렌즈 브러시로 털어냅니다.
- 먼지나 지문 자국을 제거하려면 제공된 극세사 천으로 원을 그리듯이 문질러 닦습니다. 거친 천을 사용하거나 필요 이상으로 문지를 경우 렌즈 표면에 스크래치가 생겨 영구적으로 손상될 수 있습니다. 포함된 세탁 가능한 극세사 천은 렌즈의 정기적 세척에 이상적입니다. 렌즈에 입김을 가볍게 불어 약간의 습기를 가한 다음 극세사 천으로 렌즈를 가볍게 문지릅니다.
- 더욱 철저히 세척하려면 사진용 렌즈 티슈 및 사진 타입 렌즈 세척액 또는 이소프로필 알코올을 사용해도 됩니다. 용액을 렌즈에 직접 묻히지 말고 항상 세척용 헝겊에 묻혀 사용하십시오.
- 이 거리 측정기에는 방수 기능이 있지만, 폭우나 그 밖의 직접적인 물 흐름에 노출되어서는 안 되며 물이나 다른 액체에 담가서는 안 됩니다.

⚠ 주의: 디스플레이/내부 전기 부품의 손상을 방지하기 위해 접안렌즈에 직사광선이 닿지 않도록 주의하십시오. BITE 자석을 사용하여 장치를 카트 봉이나 차체에 부착할 때 접안렌즈가 태양을 향하지 않고 지면을 향하도록 장치를 기울입니다. 장치를 사용하지 않을 때는 추가적인 보호를 위해 케이스에 보관하십시오.

문제 해결

레이저 거리 측정기를 절대 분해하지 마십시오. 인가되지 않은 서비스 시도로 심각한 손상이 초래될 수 있으며 보증이 무효화될 수 있습니다.

기기가 켜지지 않아 디스플레이가 켜지지 않을 경우:

- 전원/발사 버튼을 누릅니다.
- 확인 후 필요한 경우 배터리를 교체합니다. 버튼을 눌러도 기기에 응답이 없는 경우에는 양호한 품질의 CR2 3볼트 리튬 전지로 배터리를 교체하십시오.

기기 전원이 꺼지는 경우(레이저 발사를 시도하면 디스플레이가 꺼짐):

- 배터리가 약하거나 배터리 품질이 나쁩니다. 양호한 품질의 3볼트 리튬 전지(CR2)로 배터리를 교체하십시오.

타깃까지의 거리가 포착되지 않는 경우:

- 디스플레이가 켜져 있는지 확인합니다.
- 전원/발사 버튼이 눌린 상태인지 확인합니다.
- 손이나 손가락 등으로 레이저 파동을 주고받는 (타깃에 가장 가까이 있는) 대물 렌즈를 가리고 있지 않은지 확인합니다.
- 전원/발사 버튼이 눌린 상태에서 기기를 흔들리지 않게 잡고 있는지 확인합니다.

참고: 다른 타깃의 거리를 측정하기 전에 직전 거리 판독 기록을 지우지 않아도 됩니다. 디스플레이 레티클을 사용해 새로운 타깃을 조준하고 새로운 거리 판독 결과가 표시될 때까지 전원/발사 버튼을 누르기만 하면 됩니다.

기술 사양

치수	1.5 x 4.25 x 3인치
무게	8oz
거리 측정 정확도	오차 범위 +/- 1야드
표적 거리	5~1,300야드/5~1,189미터
확대율	6x
대물 렌즈 지름	22mm
광학 코팅	완전 다중 코팅
디스플레이	조명 Jolt 표시기 링의 LCD
전원	3볼트 리튬(CR-2)
FOV	300피트 @ 1,000야드/100미터 @ 1,000미터
최대 눈동자 거리	13mm
출사동	3.5mm
포함된 품목	고급 휴대용 케이스 및 CR2 배터리

 경고: 이 제품은 리튬 기반 전지를 사용합니다. 리튬 전지는 물리적 남용 시 과열 및 손상을 초래할 수 있습니다. 손상되거나 물리적 마모 징후가 보이는 배터리는 사용하지 마십시오.

FCC 설명

이 기기는 FCC 규정 제15조를 준수합니다. 작동에는 다음 두 가지 조건이 적용됩니다. (1) 이 장치는 유해한 간섭을 유발하지 않습니다. (2) 이 장치는 원치 않는 작동을 유발할 수 있는 간섭을 포함하여 수신된 모든 간섭을 수용해야 합니다.

본 장치에 대한 테스트가 완료되었으며 FCC 규정 제15조에 따라 클래스 B 디지털 장치에 대한 한도를 준수하는 것으로 확인되었습니다. 이런 한도는 주거 지역 내에서 유해한 간섭으로부터 합리적인 수준의 보호 기능을 확보할 수 있도록 설계되었습니다.

본 장치는 무선 주파수 에너지를 생성, 사용 및 방출할 수 있으며 지침에 따라 설치 및 사용하지 않는 경우 무선 통신에 유해한 간섭을 유발할 수 있습니다. 그러나 특정 설치에서 간섭이 발생하지 않는다고 보장할 수는 없습니다.

본 장치를 껐다가 다시 켜서 확인한 결과 본 장치가 라디오 또는 텔레비전 수신에 유해한 간섭을 유발하는 경우, 다음 조치 중 하나 이상을 수행하여 간섭 해결을 시도할 것을 권장합니다.

- 수신 안테나의 방향이나 위치를 변경합니다.
- 본 장치와 수신기 사이의 간격을 넓힙니다.
- 수신기가 연결된 것과 다른 회선의 콘센트에 장치를 연결합니다.
- 판매자 또는 숙련된 라디오/TV 기술자에게 도움을 요청합니다.



설명 레이블은 공간의 제약
때문에 이로 인해 사용자
설명서의 여기에만 표시됩니다.

서비스 관련 내용:

- 소비자는 배터리 도어를 제거하여 배터리를 교체할 수 있습니다.
- 이 제품에는 사용자가 수리할 수 있는 제어 장치가 없습니다.
- 이 제품은 소비자가 열거나 개조해서는 안 됩니다.
- 서비스를 받으려면 이 제품을 제조업체에 반환해야 합니다.

연락처: Bushnell Holdings, Inc.

9200 Cody, Overland Park KS 66214



FDA 안전

2019년 5월 8일 자의 Laser Notice 56에 설명된 바와 같이 IEC60825-1 Ed.3.의 준수를 제외하고 21CFR1040.10 및 1040.11을 준수합니다. 주의- 여기에 지정되지 않은 제어나 조정 또는 수행 절차를 사용할 경우, 위험한 방사선에 노출될 수 있습니다.

캐나다 산업성 발표:

이 장치는 ISED의 라이선스 면제 RSS를 준수합니다. 작동에는 다음 두 가지 조건이 적용됩니다. (1) 이 장치는 유해한 간섭을 유발하지 않습니다. (2) 이 장치는 원치 않는 작동을 유발할 수 있는 간섭을 포함하여 수신된 모든 간섭을 수용해야 합니다.

Le présent appareil est conforme aux CNR d'ISED applicables aux appareils radio exempts de licence. L'exploitation est autorisée aux deux conditions suivantes: (1) le dispositif ne doit pas produire de brouillage préjudiciable, et (2) ce dispositif doit accepter tout brouillage reçu, y compris un brouillage susceptible de provoquer un fonctionnement indésirable.

방사선 노출 발표 / Déclaration d'exposition aux radiations:

이 장치는 통제되지 않은 환경에 대해 명시한 캐나다 산업성의 휴대용 RF 노출 제한을 준수하며 이 설명서에 설명된 내용대로 의도되었던 조작을 하면 안전합니다. 이 제품을 사용자의 신체와 가능한 한 멀리 떨어뜨려 놓거나 기기의 출력을 낮게 설정하면(그러한 기능을 사용할 수 있는 경우), RF 노출을 더욱 줄일 수 있습니다.

Le produit est conforme aux limites d'exposition pour les appareils portables RF pour les Etats-Unis et le Canada établies pour un environnement non contrôlé.

Le produit est sûr pour un fonctionnement tel que décrit dans ce manuel. La réduction aux expositions RF peut être augmentée si l'appareil peut être conservé aussi loin que possible du corps de l'utilisateur ou que le dispositif est réglé sur la puissance de sortie la plus faible si une telle fonction est disponible.

<http://patents.vistaoutdoor.com>

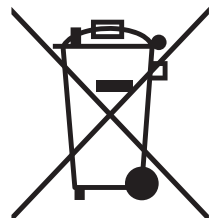
전기 및 전자 장치의 폐기

(별도의 수거 시스템을 갖춘 EU 및 기타 유럽 국가에 적용 가능)

이 장치에는 전기 및/또는 전자 부품이 포함되어 있으므로 일반 쓰레기로 폐기해서는 안 됩니다. 지자체에서 지정한 알맞은 재활용품 수거 지점에 폐기해야 합니다. 소비자에게는 이 절차가 무료입니다.

장치에 교환식(충전식) 배터리가 들어 있는 경우에는 해당 배터리도 제거해야 하며, 필요한 경우 관련 규정에 따라 폐기해야 합니다(본 장치 지침의 해당 설명도 참고하십시오).

이 주제에 관한 자세한 정보는 귀하가 거주하는 지역의 관리 규정, 지역 폐기물 수거 회사 또는 이 장치를 구매한 매장에서 확인할 수 있습니다.



2년 제한 보증

Bushnell® 골프 레이저 거리 측정기는 구매일로부터 2년 동안 제품 및 제조상의 결함에 대한 보증을 제공합니다. 이 보증에서 보장하는 결함이 있을 경우 부시넬은 선불 우편으로 제품을 받은 후 자체 판단으로 제품의 수리 또는 교체를 제공합니다. 오사용, 부적절한 조작, 설치 또는 Bushnell® 공인 서비스 부처가 아닌 제삼자에게서 제공받은 유지보수로 인한 손상은 보증되지 않습니다.

이 보증에 따른 모든 반품의 경우 아래 나열된 항목을 함께 보내야 합니다.

1. 우편 배송 및 처리 비용에 해당하는 \$10.00의 수표/우편환
2. 반품을 위한 이름, 주소 및 평일 낮 동안 통화 가능한 전화번호.
3. 결함에 대한 설명.
4. 날짜가 포함된 구입 증명서 사본.

배터리, 케이스, 스트랩 등의 액세서리는 보내지 마십시오. 수리가 필요한 제품만 보내십시오.

운송 중에 손상되지 않도록 제품을 튼튼한 배송 상자에 잘 포장해 아래 나열된 주소로 보내 주십시오.

미국 내 발송처:

Bushnell® Outdoor Products
Attn.: Repairs
9200 Cody
Overland Park, Kansas 66214

캐나다 내 발송처:

Bushnell® Outdoor Products
Attn.: Repairs
140 Great Gulf Drive, Unit B
Vaughan, Ontario L4K 5W1

미국 또는 캐나다 이외의 지역에서 구매한 제품의 경우에는 현지 판매자에게 적절한 보증 정보를 문의해 주십시오.

이 보증은 귀하께 구체적인 법률상의 권한을 부여합니다.
귀하는 국가별로 상이한 권리를 보유하게 될 수 있습니다.

©2020 Bushnell® Outdoor Products

ขอแสดงความยินดีกับการอัปเดตเกมของคุณด้วย “BITE” เมื่อคุณซื้อเครื่องวัดระยะเลเซอร์ Bushnell® Tour V5 Tour V5 คือเครื่องมือวัดระยะด้วยแสงเลเซอร์ผ่านการมองด้วยตาซึ่งมีความแม่นยำและออกแบบมาเพื่อมอบความสุขในการใช้งานเป็นเวลาหลายปี คู่มือสำหรับเจ้าของนี้จะช่วยให้คุณใช้งานได้อย่างเต็มประสิทธิภาพโดยอธิบายคุณลักษณะและการทำงาน รวมถึงวิธีการดูแลอุปกรณ์สำหรับเครื่องวัดระยะด้วยแสงเลเซอร์ของคุณ โปรดอ่านคำแนะนำเหล่านี้ก่อนใช้ Tour V5 ของคุณ เพื่อให้แน่ใจว่าอุปกรณ์จะทำงานได้อย่างมีประสิทธิภาพสูงสุดและมีอายุการใช้งานยาวนาน

คำเตือน: ไม่แนะนำให้มองการปล่อยแสงเลเซอร์เป็นระยะเวลานานด้วยเลนส์ขยาย เช่นเดียวกับเมื่อใช้อุปกรณ์เลเซอร์อื่นๆ

บทนำ

Bushnell® Tour V5 ของคุณ คืออุปกรณ์วัดระยะด้วยแสงเลเซอร์ระดับพรีเมียมขั้นสูงที่ประกอบด้วยเทคโนโลยีระบบดิจิทัลและตัวประมวลผลเทอร์โบซึ่งสามารถอ่านค่าได้ตั้งแต่ 5–1300 หลา / 5–1189 เมตร Tour V5 อ่านค่าได้อย่างรวดเร็วและมีความแม่นยำระดับ +/- 1 หลา

Tour V5 มีเทคโนโลยี PinSeeker™ พร้อมด้วย JOLT ซึ่งทำให้นักกอล์ฟสามารถ “เล็ง” ชงได้อย่างง่ายดายและรวดเร็วโดยไม่มีวัตถุอื่นดูปรากฏในพื้นที่หลัง และมีคุณภาพของการมองเห็นที่คมชัดสุดยอด JOLT ได้รับการพัฒนาด้วย “Visual JOLT” ใหม่ทั้งหมด ในขณะที่วงแหวนสีแดงจะกระพริบเมื่อ JOLT สั่นสะเทือนเพื่อให้นักกอล์ฟได้รับผลตอบรับและความมั่นใจได้มากขึ้นเมื่อรู้ว่าคุณได้ล็อกชงไว้แล้ว นอกจากนี้ Tour V5 ยังมีสิ่งใหม่ซึ่งก็คือตัวยึดแม่เหล็กที่สุพิเศษของ Bushnell ที่เรียกว่า BITE ทำให้นักกอล์ฟติดตั้ง Tour V5 ได้อย่างง่ายดายบนเสาธงกอล์ฟ

คำแนะนำเกี่ยวกับชิ้นส่วน

1. แม่เหล็ก BITE (ดูภาพแทรก)
2. สวิตช์ หลา/เมตร
3. ปุ่ม Power/Fire
4. ตัวหมุนปรับเลนส์ใกล้ตา
5. ช่องใส่แบตเตอรี่
6. สวิตช์ Slope (รุ่นเคลื่อนที่เท่านั้น)



เทคโนโลยีดิจิทัลของเราทำงานอย่างไร

Tour V5 ปล่อยคลื่นจิงหระพลังงานอินฟราเรดที่มองไม่เห็นและปลอดภัยต่อดวงตาออกมา ดิจิทัลไมโครโพรเซสเซอร์ที่มีประสิทธิภาพขั้นสูงของ Tour V5 และชิป ASIC (วงจรรวมเฉพาะแอปพลิเคชัน) ส่งผลให้อ่านค่าได้อย่างรวดเร็วและแม่นยำทุกครั้ง เทคโนโลยีดิจิทัลที่ซับซ้อนคำนวณระยะห่างนับไม โดยการวัดเวลาที่คลื่นแต่ละจิงหระเดินทางจากเครื่องวัดระยะไปยังเป้าหมายและกลับมา

ความแม่นยำในการวัดระยะ

ช่วงระยะความแม่นยำของ Tour V5 คือบวกหรือลบหนึ่งหลา/เมตร ภายใต้สถานการณ์ส่วนใหญ่ ระยะสูงสุดของเครื่องมือขึ้นอยู่กับความสามารถในการสะท้อนกลับของเป้าหมาย Tour V5 จะวัดระยะไปที่ธงกอล์ฟที่อยู่ห่าง 400 หลา / 366 เมตรในขณะที่ระยะห่างสูงสุดของวัตถุที่มีการสะท้อนแสงสูงคือ 1,300 หลา / 1,179 เมตร

หมายเหตุ: คุณจะไ้ระยะห่างทั้งใกล้สุดและใกล้สุด ขึ้นอยู่กับคุณสมบัติความสามารถในการสะท้อนกลับของเป้าหมายนั้นๆ และสภาพของสภาพแวดล้อม ณ เวลาที่กำลังวัดระยะห่างของวัตถุ สี ลักษณะพื้นผิว ขนาด และรูปทรงของเป้าหมาย ทั้งหมดส่งผลต่อความสามารถในการสะท้อนกลับและระยะ ยังมีการสะท้อนกลับของเป้าหมายมากเท่าใด ระยะจะยิ่งไกลมากขึ้นเท่านั้น ตัวอย่างเช่น วัตถุสีขาวหรือสีเงินเป็นสีที่มีการสะท้อนกลับสูงทำให้ไ้ระยะไกลกว่าสีดำซึ่งเป็นสีที่มีการสะท้อนกลับต่ำที่สุด พื้นผิวที่เงาหรือมันวาวให้ระยะได้ไกลกว่าผิวด้าน เป้าหมายขนาดเล็กวัดระยะยากกว่าเป้าหมายขนาดใหญ่ มุมของเป้าหมายก็มีผลด้วยเช่นกัน การยิงไปที่เป้าหมายที่มุม 90 องศา (ซึ่งพื้นผิวของเป้าหมายตั้งฉากกับเส้นทางการปล่อยคลื่นจิงหระรังสี) ให้ระยะได้ดี ในขณะที่ตรงกันข้ามมุมสูงชันจะจำกัดการวัดระยะ นอกจากนี้ สภาพวะของแสงสว่าง (เช่น ปริมาณแสงแดด) จะส่งผลต่อความสามารถในการวัดระยะของเครื่อง ยิ่งแสงน้อย (เช่น ท้องฟ้ามีเมฆมาก) ช่วงวัดระยะสูงสุดของเครื่องจะใกล้ขึ้น ตรงกันข้าม วันที่แดดจัดจะลดช่วงระยะสูงสุดของอุปกรณ์

การเปิดใช้งาน/การเปลี่ยนแบตเตอรี่

ถอดฝาครอบแบตเตอรี่โดยยกแถบบนฝาขึ้น จากนั้นหมุนฝาปิดทวนเข็มนาฬิกาจนกระทั่งหลวม ยกฝาครอบขึ้นและวางไว้ด้านข้าง

การเปิดใช้งานแบตเตอรี่ที่ติดตั้งไว้: แบตเตอรี่ CR2 ได้รับการติดตั้งล่วงหน้าใน Tour V5 เครื่องใหม่ของคุณ ถอดฝาครอบแบตเตอรี่ตามที่อธิบายไว้ด้านบน ก่อนใช้งานเครื่องวัดระยะ ถอดแผ่นป้องกันพลาสติกสีแดง (ดูรูปภาพทางขวา) จากด้านบนของแบตเตอรี่ จากนั้นใส่ฝาครอบแบตเตอรี่อีกครั้ง

การเปลี่ยนแบตเตอรี่ที่เหลือพลังงาน: ใส่แบตเตอรี่ลิเธียม CR2 3 โวลต์ ก้อนใหม่เข้าไปในช่องโดยใส่ด้านประจุบวกก่อน (ด้านประจุลบที่ "เรียบแบน" หันเข้าหาฝาครอบแบตเตอรี่) จากนั้นใส่ฝาครอบแบตเตอรี่กลับเข้าไป หมายเหตุ: แนะนำให้เปลี่ยนแบตเตอรี่อย่างน้อยทุกๆ 6 เดือน



การทำงานเบื้องต้น

- กดปุ่ม Power/Fire หนึ่งครั้งขณะที่มองผ่าน Tour V5 เพื่อเปิดใช้งานการแสดงผล หากไอคอนหน้าจอและหมายเลขเบลอให้หมุนเลนส์ใกล้ตาไปในทิศทางใดทิศทางหนึ่งจนกว่าจะอยู่ในโฟกัส (ดู "การปรับเลนส์ใกล้ตา" ด้านล่าง)
- วางตำแหน่งวงกลมเล็ง (ศูนย์กลางของจอแสดงผล) บนเป้าหมายที่อยู่ห่างออกไปอย่างน้อย 5 หลา กดปุ่ม Power/Fire ค้างไว้จนกระทั่งระยะ "แนวสายตา" ปรากฏขึ้นใกล้กับด้านล่างของจอแสดงผล (ดู "ตัวชี้การแสดงผล" ด้านล่าง) เป้าเล็งรอบๆ วงกลมเล็งระบุว่ามีการยิงเลเซอร์ออกไป
- หลังจากทราบระยะห่างและแสดงผลแล้วคุณสามารถปล่อยปุ่ม Power/Fire ได้ เป้าเล็งรอบๆ วงกลมเล็งจะหายไปเมื่อปล่อยปุ่ม Power/Fire (หมายความว่าเลเซอร์ไม่ได้ยิงออกไป)
- เมื่อเปิดใช้งานแล้ว จอแสดงผลจะยังคงมองเห็นได้และยังคงแสดงการวัดระยะทางล่าสุดเป็นเวลา 10 วินาที คุณสามารถกดปุ่ม Power/Fire อีกครั้งได้ตลอดเวลาเพื่อวัดระยะทางเป้าหมายใหม่ เลเซอร์ถูกส่งออกไป (ทำงาน) เป็นเวลานานสูงสุด 5 วินาที หากต้องการยิงอีกครั้ง ให้กดปุ่มเปิดปิดเครื่องอีกครั้ง

การใช้ PINSEEKER™ ที่มี VISUAL JOLT®

คุณลักษณะพิเศษของ Pinseeker™ ของ Bushnell ช่วยให้สามารถเล็งเป้าหมายไปที่ตรงได้โดยไม่ต้องมีการวัดระยะทางไปยังเป้าหมายขนาดใหญ่ที่อยู่ในพื้นที่ที่มีสัญญาณแรงกว่าโดยไม่ตั้งใจ (เช่น ต้นไม้)

เมื่อคุณเล็งเป้าหมาย หากลำแสงเลเซอร์ตรวจจับวัตถุได้มากกว่าหนึ่งวัตถุ (เช่น ธงและกลุ่มต้นไม้ด้านหลัง) จะมีการแสดงผลระยะทางไปยังวัตถุที่ใกล้ที่สุดเท่านั้น (ธง) เทคโนโลยี JOLT จะส่งการสั่นสะเทือนสองครั้งเพื่อยืนยันว่าระยะที่มีการแสดงผลคือระยะห่างจากธง และวงแหวนสีแดง (สัญลักษณ์ของ Visual JOLT) รอบขอบด้านนอกของหน้าจอจะเปิดใช้งาน เพื่อยืนยันว่าเลเซอร์ได้ทำการกำหนดเป้าหมายที่ถูกต้องผ่าน Pinseeker

อาจมีบางครั้งที่ลำแสงเลเซอร์ตรวจจับได้เพียงวัตถุเดียวในเส้นทางของมัน ในกรณีนี้ ระยะทางจะแสดงขึ้นมา แต่เนื่องจากมีวัตถุที่หาระยะได้เพียงหนึ่งรายการ จะไม่มีการแสดง JOLT

เคล็ดลับ: ขณะที่กด Power/Fire คุณสามารถขยับอุปกรณ์เข้าๆ จากวัตถุหนึ่งไปยังอีกวัตถุหนึ่ง และบังคับให้เลเซอร์เล็งหลายๆ วัตถุอย่างตั้งใจเพื่อให้แน่ใจว่าค่าที่แสดงคือวัตถุที่อยู่ใกล้ที่สุดที่เลเซอร์รับรู้ เมื่ออุปกรณ์เปิดเครื่อง เครื่องจะตั้งค่าเริ่มต้นเป็นโหมดค่าล่าสุดที่ใช้งานเสมอ

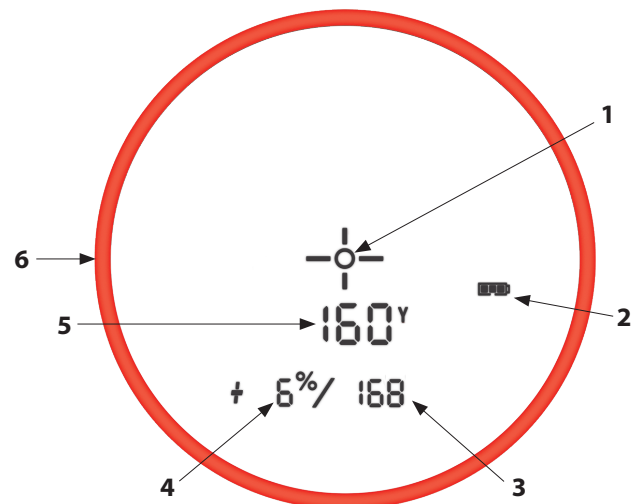
การปรับเลนส์ใกล้ตา

Tour V5 ติดตั้งช่องมองภาพ Fast Focus ที่ปรับค่า (+/- 3.5 การปรับแก้สายตา) ที่ช่วยให้คุณสามารถโฟกัสไปที่ข้อมูลและไอคอนที่มีการแสดงผล ซึ่งเกี่ยวข้องกับภาพที่ดูจากเลนส์ตาข้างเดียว เพียงแค่หมุนเลนส์ใกล้ตาจนกว่าหน้าจออยู่ในระยะโฟกัส

สัญลักษณ์บนหน้าจอ

จอแสดงผล Tour V5 ของคุณมีสัญลักษณ์บ่งชี้ดังต่อไปนี้ (อ้างอิงรูปภาพที่แสดงทางด้านขวา):

- วงกลมเล็ง (เป้าเล็งรอบๆ ระบุว่ามีการยิงเลเซอร์ออกไป)
- ระดับแบตเตอรี่
- ระยะทาง "เล่นเสมือน"* (อ้างอิงระดับพลังงาน)
- ระดับพลังงาน* (% เกรด)
- เส้นของระยะห่างสายตา
- วงแหวนสัญลักษณ์ Visual JOLT
*รุ่นเคลื่อนที่เท่านั้น



ไฟแสดงระดับแบตเตอรี่

ไฟแสดงสถานะแบตเตอรี่ (2) แสดงระดับพลังงานที่เหลืออยู่:

- ชาร์จเต็ม
- เหลือแบตเตอรี่ประมาณ 2/3
- เหลือแบตเตอรี่ประมาณ 1/3
- ไฟแสดงสถานะแบตเตอรี่กะพริบ หมายถึงต้องเปลี่ยนแบตเตอรี่และเครื่องจะไม่ทำงาน

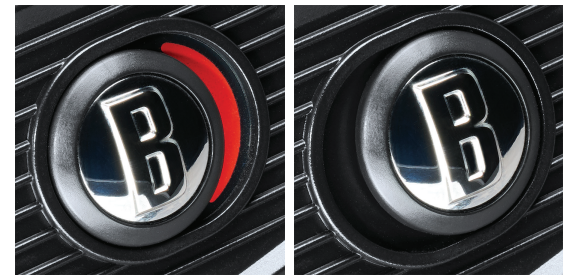
เลเซอร์ที่ทำงาน

เป้าเล็งรอบๆ วงกลมเล็งระบุว่ามีเลเซอร์ออกไป เมื่อได้ค่าระยะแล้ว คุณสามารถปล่อยปุ่ม Power/Fire ได้ เป้าเล็งรอบๆ วงกลมจะหายไป เมื่อปล่อยปุ่ม Power/Fire (หมายความว่าเลเซอร์ไม่ได้ยิงออกไป)

เทคโนโลยีสวิตช์ SLOPE (TOUR V5 รุ่นเคลื่อนที่ # 201910 เท่านั้น)

เทคโนโลยีสวิตช์ Slope ช่วยให้นักกอล์ฟเปิดและปิดฟังก์ชัน Slope ได้อย่างง่ายดาย ซึ่งฟังก์ชันนี้ Bushnell เป็นผู้ได้รับสิทธิบัตร สิ่งนี้ช่วยให้นักกอล์ฟใช้ประโยชน์จากฟังก์ชันความชันได้อย่างสะดวกสบายเพื่อรับระยะทางชดเชยรอบสนามเมื่อพวกเขาต้องการ และมีอุปกรณ์ที่สอดคล้องกับ USGA ที่ถูกกฎหมายสำหรับการแข่งขันทัวร์นาเมนต์เมื่อพวกเขาต้องการ

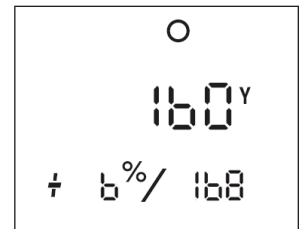
เมื่อเปิดใช้งานฟังก์ชันความลาดชันโดยเลื่อนสวิตช์ Slope ที่ด้านข้างของ Tour V5 Shift (รุ่น # 201910) ไปทางซ้ายเพื่อให้ตัวบ่งชี้ความลาดชันสีแดงมองเห็นได้ (ดูรูป/ขวา), เทคโนโลยี Slope ที่ Bushnell ได้รับสิทธิบัตรจะปรากฏขึ้น โหมด Slope +/- จะคำนวณระยะชดเชยมุมโดยอัตโนมัติโดยอาศัยระยะห่างและความชันที่ประเมินโดยเครื่องวัดระยะด้วยแสงเลเซอร์และมาตรวัดความเอียงในตัว จากนั้นข้อมูลนี้จะรวมกับสูตรเชิงอัลกอริทึมภายในซึ่งแก้ไขปัญหาด้วยการใช้ไม้กอล์ฟขนาดกลาง และวิถีโค้งของลูกกอล์ฟ ระยะชดเชยมุมบ่งบอกถึงวิธีการตีลูกกอล์ฟ (นั่นคือเพิ่มระยะหากทางลาดชัน ลดระยะหากทางลาดลง) เลื่อนสวิตช์ Slope ไปทางขวาและตอนนี้ Tour V5 ของคุณจะสอดคล้องกับ USGA Rule 14-3 โดยมีการนำคุณสมบัตินี้ที่ชดเชยความลาดชันออกไป



วิธีใช้ SLOPE +/-™ (TOUR V5 รุ่นเคลื่อนที่ # 201910 เท่านั้น)

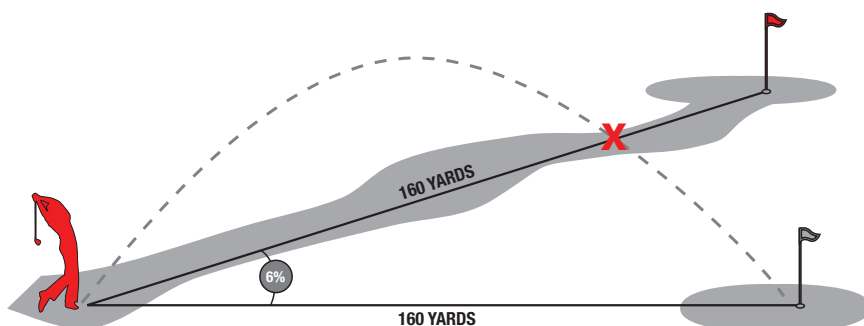
เลื่อนสวิตช์ Slope ไปที่ตำแหน่ง "Slope on" คุณจะเห็นข้อมูลบรรทัดที่สองปรากฏขึ้นบนจอแสดงผลเพื่อยืนยันว่าขณะนี้คุณอยู่ในโหมด Slope กดปุ่ม Power/Fire เพื่อวัดระยะห่างจากธงหรือวัตถุอื่นๆ เมื่อค่าระยะแสดงขึ้นมา ให้ปล่อยปุ่ม Power/Fire มือคุณปล่อยปุ่ม Power/Fire แล้วเปอร์เซ็นต์ของเกรดและระยะชดเชยจะปรากฏขึ้นใต้ระยะทางมาตรฐานในแถวที่สองของตัวเลข

ตัวอย่างเช่น หากระยะทางที่แท้จริงคือ 160 หลา แต่มีความชัน +6 เปอร์เซ็นต์ ระยะความชันชดเชย ("เล่นเสมือน") คือ 168 หลา หน้าจอจะแสดงเช่นนี้ (ทางขวา):



ข้อดีของ SLOPE +/-™ (TOUR V5 SHIFT)

ระยะห่างจากธงในรูปวาด (ดูด้านซ้าย) คือ 160 หลา แต่ระยะห่างจนถึงธงสีแดง ก็คือ 160 หลาเช่นกัน แม้ว่าจะอยู่บนความชันที่มีเกรด 6% (ทางลาดชัน) อย่างไรก็ตาม หากนักกอล์ฟต้องเล่นในหลุมนี้ที่ระยะ 160 หลา ลูกกอล์ฟ (X) จะหลุดจากหลุม / ธงหากความชันไม่ถูกนำมาพิจารณา เนื่องจากมีความลาดชันจึงควรเล่นเป็นระยะยัง 168 หลา เมื่ออุปกรณ์เปิดเครื่องเครื่องจะตั้งค่าเริ่มต้นเป็นโหมดล่าสุดที่ใช้งานเสมอ



การตั้งค่าหน่วยระยะทาง/การแสดงตัวอย่าง JOLT

ในการเลือกหน่วยระยะทาง (หลา <> เมตร) ให้กดปุ่ม Fire/Power (ทางขวา) เพื่อเปิดใช้งานหน่วยนั้นๆ จากนั้นกดปุ่ม Y / M จนกระทั่งหน่วยปรากฏบนจอแสดงผล

การทำเช่นนั้นยังเปิดใช้งานตัวบ่งชี้ JOLT (การสั่นสะเทือนและวงแหวนแสดงภาพบนหน้าจอ) ทำให้คุณสามารถดูตัวอย่าง/สถิติผลกระทบของเทคโนโลยี JOLT โดยที่คุณไม่จำเป็นต้องยิงเลเซอร์ไปที่เป้าหมาย

POWER/FIRE



หลา/เมตร

ตัวติดตั้งแม่เหล็ก BITE

Tour V5 มีแม่เหล็ก BITE อันตรงพลังซึ่งอยู่ทาง ด้านขวา ของอุปกรณ์ ซึ่งช่วยให้ อุปกรณ์สามารถติดกับเสาหรือโครงรถกอล์ฟได้อย่างปลอดภัย

! คำเตือน: คุณสมบัติ BITE ที่มาพร้อมกับอุปกรณ์มีแม่เหล็กนี้ ไอโดเมียมเป็นส่วนประกอบ แม่เหล็กอาจส่งผลต่อการทำงานของตัวคุมจังหวะหัวใจ และเครื่องกระตุ้นหัวใจ หากคุณใช้อุปกรณ์เหล่านี้ ให้รักษาระยะห่างจากแม่เหล็กอย่างพอสมควร โปรดเตือนผู้อื่นที่ใช้อุปกรณ์เหล่านี้ไม่ให้เข้าใกล้แม่เหล็กเกินไป

- แม่เหล็กอาจสูญเสียแรงยึดเกาะอย่างถาวรหากสัมผัสกับอุณหภูมิที่สูงกว่า 1750 F (800 C)
- แม่เหล็กสร้างสนามแม่เหล็กที่แรงและไกลมาก แม่เหล็กนี้อาจสร้างความเสียหายให้กับทีวีและแล็ปท็อป ฮาร์ดไดรฟ์ของคอมพิวเตอร์ บัตรเครดิตและ ATM อุปกรณ์บันทึกข้อมูล นาฬิกา อุปกรณ์ช่วยเหลือการฟังและลำโพง วางเครื่องไว้ห่างจากอุปกรณ์และวัตถุที่อาจได้รับความเสียหายจากสนามแม่เหล็กที่แรง
- แม่เหล็กมีสนามแม่เหล็กแรงสูงซึ่งสามารถทำให้ผิวหนังและนิ้วมือรู้สึกเจ็บชาได้ โปรดระมัดระวังเมื่อติดตั้งอุปกรณ์กับรางหรือเสาโลหะ



แม่เหล็ก BITE



รถกอล์ฟ
โครง

การทำความสะอาดและการดูแลทั่วไป

เลนส์ของเครื่องวัดระยะด้วยแสงเลเซอร์ Bushnell Tour V5 ของคุณได้รับการเคลือบหลายชั้นเพื่อให้ส่งผ่านแสงได้สูงสุด เลนส์มีลติ โค้ดต้องได้รับการดูแลเป็นพิเศษในการทำความสะอาด ทำตามเคล็ดลับเหล่านี้เพื่อทำความสะอาดเลนส์ที่เหมาะสม:

- เป่าฝุ่นหรือเศษฝุ่นที่ติดอยู่บนเลนส์ออกเบาๆ (หรือใช้แปรงปัดเลนส์ขนอ่อน)
- หากต้องการเช็ดฝุ่นหรือลายนิ้วมือ ให้เช็ดด้วยผ้าไมโครไฟเบอร์ที่ให้มาโดยอยู่ในลักษณะเป็นวงกลม การใช้ผ้าหยาบหรือการถูที่ไม่จำเป็นอาจทำให้พื้นผิวเลนส์เป็นรอยและทำให้เกิดความเสียหายถาวร ผ้าทำความสะอาดไมโครไฟเบอร์ซึ่งสามารถซักรีดที่ให้มา เหมาะสำหรับการทำความสะอาดเลนส์ของคุณเป็นประจำ เพียงแค่เป่าลมหายใจออกทางปากเบาๆ บนเลนส์เพื่อให้เกิดความชื้นเล็กน้อย จากนั้นถูเลนส์เบาๆ ด้วยผ้าไมโครไฟเบอร์
- สำหรับการทำความสะอาดที่ละเอียดยิ่งขึ้น อาจใช้ทิชชูทำความสะอาดเลนส์ถ่ายภาพและน้ำยาทำความสะอาดเลนส์ถ่ายภาพหรือไอโซโพรพิลแอลกอฮอล์ให้เท่านั้นาลงบนผ้าสะอาดเสมอ ห้ามเทลงบนเลนส์โดยตรง
- อุปกรณ์วัดระยะทางนี้กันน้ำได้ แต่ไม่ควรตากฝนที่ตกหนักหรือสัมผัสสายน้ำไหลชนิดอื่นๆ และจะไม่ทนทานต่อการจมน้ำหรือของเหลวอื่นๆ

! ข้อควรระวัง: ใช้ความระมัดระวังเพื่อหลีกเลี่ยงไม่ให้ช่องมองภาพสัมผัสแสงแดดโดยตรง เพื่อป้องกันความเสียหายที่จะเกิดขึ้นกับส่วนแสดงผล/ส่วนประกอบภายใน เมื่อใช้แม่เหล็ก BITE เพื่อต่ออุปกรณ์เข้ากับเสาหรือโครงรถกอล์ฟ ให้เอียงอุปกรณ์เพื่อให้ช่องมองภาพเล็งลงไปที่พื้นไม้ ใช้ชี้ขึ้นไปทางดวงอาทิตย์ เมื่อคุณไม่ได้ใช้อุปกรณ์ โปรดเก็บไว้ในเคสเพื่อไม่ให้ได้รับการป้องกันเพิ่มเติม

การแก้ไขปัญหา

อย่าแยกชิ้นส่วนของเครื่องวัดระยะด้วยเลเซอร์ของคุณ ความเสียหายที่ไม่สามารถแก้ไขได้อาจเป็นผลมาจากความพยายามใช้บริการที่ไม่ได้รับอนุญาตซึ่งจะทำให้การรับประกันเป็นโมฆะ

หากเครื่องไม่เปิดหน้าจอไม่ติด:

- กดปุ่ม Power/Fire
- ตรวจสอบและเปลี่ยนแบตเตอรี่ หากจำเป็น หากเครื่องไม่ตอบสนองกับการกดปุ่ม ให้เปลี่ยนแบตเตอรี่ด้วยแบตเตอรี่ลิเทียม CR2 3 โวลต์ที่มีคุณภาพดี

หากไฟฟ้าเครื่องตก (หน้าจอดับไปเมื่อพยายามยิงเลเซอร์):

- แบตเตอรี่อ่อนหรือคุณภาพต่ำ ให้เปลี่ยนแบตเตอรี่ด้วยแบตเตอรี่ลิเทียม 3 โวลต์ (CR2) ใหม่

หากวัดระยะเป้าหมายไม่ได้:

- ตรวจสอบให้แน่ใจว่าหน้าจอติดสว่าง
- ตรวจสอบให้แน่ใจว่าปุ่ม Power/Fire ถูกกดอยู่
- ตรวจสอบให้แน่ใจว่าไม่มีสิ่งใดๆ เช่น มือหรือนิ้วของคุณวางเล่นสวิตช์ (เลนส์ที่อยู่ใกล้กับเป้าหมายที่สุด) ซึ่งปล่อยและรับคลื่นเลเซอร์
- ตรวจสอบให้แน่ใจว่าถือเครื่องไว้อย่างมั่นคงขณะที่กดปุ่ม Power/Fire

หมายเหตุ: ไม่จำเป็นต้องลบค่าที่อ่านได้ล่าสุดออกไปก่อนที่จะวัดระยะเป้าหมายอื่น เพียงเล็งไปที่เป้าหมายใหม่โดยใช้เส้นเล็งบนหน้าจอ กดปุ่ม Power/Fire ค้างไว้จนกระทั่งผลการอ่านค่าระยะใหม่ปรากฏขึ้น

ข้อมูลจำเพาะทางเทคนิค

ขนาด	1.5 x 4.25 x 3 นิ้ว
น้ำหนัก	8 ออนซ์
ความแม่นยำในการวัดระยะ	ความแม่นยำ +/- 1 หลา
ระยะ	5-1300 หลา / 5-1189 เมตร
กำลังขยาย	6 เท่า
เส้นผ่าศูนย์กลางวัตถุ	22 มม.
การเคลือบเลนส์	มัลติโค้ตทั้งหมด
หน้าจอ	จอ LCD ที่มีวงแหวนไฟแสดงการกระตุก
แหล่งพลังงาน	ลิเทียม 3 โวลต์ (CR-2)
ขอบเขตการมองเห็น	300 ฟุตที่ 1000 หลา / 100 เมตรที่ 1000 เมตร
ระยะสลายตาเฉพาะ	13 มม.
รูรับแสง	3.5 มม.
อุปกรณ์ที่มีให้	เคสพกพาฟรีเมียมและแบตเตอรี่ CR2



คำเตือน: ผลิตภัณฑ์นี้ใช้แบตเตอรี่ลิเทียม แบตเตอรี่ลิเทียมสามารถร้อนเกินไปและทำให้เกิดความเสียหายได้ หากใช้งานไม่ถูกต้อง ห้ามใช้แบตเตอรี่ที่ชำรุดหรือมีร่องรอยของการเสื่อมสภาพ

คำแถลงของ FCC

อุปกรณ์นี้ปฏิบัติตามส่วนที่ 15 ของกฎ FCC การทำงานอยู่ภายใต้เงื่อนไขสองข้อดังต่อไปนี้: (1) อุปกรณ์นี้ไม่สร้างสัญญาณรบกวนที่เป็นอันตราย และ (2) อุปกรณ์นี้อาจรับสัญญาณรบกวนใดๆ รวมถึงสัญญาณรบกวนที่อาจส่งผลให้เกิดการทำงานที่ไม่ต้องการได้

อุปกรณ์นี้ได้รับการทดสอบและพบว่าปฏิบัติตามข้อ จำกัดของอุปกรณ์ดิจิทัลคลาส B ซึ่งสอดคล้องกันไปตามส่วนที่ 15 ของกฎข้อบังคับ FCC ข้อจำกัดเหล่านี้ได้รับการออกแบบเพื่อให้การป้องกันตามสมควรต่อการรบกวนที่เป็นอันตรายในสถานที่ซึ่งเป็นที่พักอาศัย

อุปกรณ์นี้ก่อให้เกิด ใช้ และสามารถแผ่พลังงานคลื่นความถี่วิทยุ และหากไม่ได้รับการติดตั้งและใช้งานตามคำแนะนำ อาจก่อให้เกิดการรบกวนที่เป็นอันตรายต่อการสื่อสารทางวิทยุ อย่างไรก็ตาม ไม่มีการรับประกันว่าจะไม่เกิดการรบกวนขึ้นในบางสถานการณ์

หากอุปกรณ์ทำให้เกิดการรบกวนที่เป็นอันตรายต่อตัวรับสัญญาณของวิทยุหรือโทรทัศน์ ซึ่งสามารถระบุได้ โดยการเปิดและปิดอุปกรณ์ เราแนะนำให้ผู้ใช้ แก้ไขการรบกวนได้ โดยใช้มาตรการตั้งแต่หนึ่งข้อขึ้นไปดังต่อไปนี้:

- ปรับตำแหน่งหรือเปลี่ยนตำแหน่งเสาอากาศรับสัญญาณ
- เพิ่มระยะห่างระหว่างอุปกรณ์และตัวรับสัญญาณ
- เชื่อมต่ออุปกรณ์เข้ากับเต้าเสียบในวงจรที่แตกต่างจากที่เชื่อมต่อกับตัวรับสัญญาณ
- ปรึกษาตัวแทนจำหน่าย หรือช่างวิทยุ/ทีวีที่มีประสบการณ์เพื่อขอความช่วยเหลือ



ฉลากอธิบายจะปรากฏที่นี้ภายในคู่มือผู้ใช้
เท่านั้นเนื่องจากข้อจำกัดด้านพื้นที่

หมายเหตุเกี่ยวกับบริการ:

- ผู้ใช้งานสามารถถอดฝาครอบแบตเตอรี่ออกเพื่อเปลี่ยนแบตเตอรี่
- ผลิตภัณฑ์นี้ไม่มีการควบคุมด้านการใช้สอยที่เป็นประโยชน์สำหรับผู้ใช้งาน
- ผู้ใช้งานจะต้องไม่เปิดหรือตัดแปลงผลิตภัณฑ์นี้
- ผลิตภัณฑ์นี้จะต้องถูกส่งกลับไปยังผู้ผลิตเพื่อการบำรุงรักษา

ติดต่อ: Bushnell Holdings, Inc.

9200 Cody, Overland Park KS 66214



ความปลอดภัยโดย FDA

สอดคล้องกับ 21CFR1040.10 และ 1040.11 ยกเว้นไม่ปฏิบัติตาม IEC60825-1 Ed.3. ตามที่อธิบายไว้ใน ประกาศเกี่ยวกับเลเซอร์ที่ 56 ลงวันที่ 8 พฤษภาคม 2019

ข้อควรระวัง - การใช้การควบคุมหรือปรับแต่งหรือการปฏิบัติตามขั้นตอนอื่นนอกเหนือจากที่ระบุไว้ในที่นี้อาจทำให้เกิดการสัมผัสกับรังสีที่เป็นอันตราย

แถลงการณ์อุตสาหกรรมแคนาดา:

อุปกรณ์นี้สอดคล้องกับ RSS ที่ได้รับการยกเว้นใบอนุญาตของ ISED การทำงานอยู่ภายใต้เงื่อนไขสองข้อดังต่อไปนี้: (1) อุปกรณ์นี้ไม่สร้างสัญญาณรบกวนที่เป็นอันตราย และ (2) อุปกรณ์นี้อาจรับสัญญาณรบกวนใดๆ รวมถึงสัญญาณรบกวนที่อาจส่งผลให้เกิดการทำงานที่ไม่ต้องการได้

อุปกรณ์นี้สอดคล้องกับข้อกำหนด CNR ของ ISED เกี่ยวกับอุปกรณ์วิทยุที่ได้รับการยกเว้นใบอนุญาต อนุญาตให้ใช้งานภายใต้เงื่อนไขสองข้อต่อไปนี้:

(1) อุปกรณ์จะต้องไม่ก่อให้เกิดสัญญาณรบกวนที่เป็นอันตรายและ (2) อุปกรณ์นี้ต้องยอมรับสัญญาณรบกวนที่ได้รับรวมถึงสัญญาณรบกวนที่อาจทำให้เกิดการทำงานที่ไม่พึงประสงค์

ถ้อยแถลงเกี่ยวกับการได้รับรังสี/ คำชี้แจงเกี่ยวกับการได้รับรังสี:

อุปกรณ์นี้สอดคล้องกับข้อจำกัดเกี่ยวกับการสัมผัสคลื่นความถี่วิทยุแบบพกพาของอุตสาหกรรมแคนาดาที่กำหนดไว้สำหรับสภาพแวดล้อมที่ไม่มีการควบคุมและปลอดภัยสำหรับการใช้งานตามที่อธิบายไว้ในคู่มือนี้ สามารถลดการสัมผัสกับคลื่นความถี่วิทยุได้มากขึ้นหากสามารถเก็บอุปกรณ์ไว้ห่างจากร่างกายของ

ผู้ใช้งานมากที่สุดเท่าที่จะเป็นไปได้ หรือหากอุปกรณ์ถูกตั้งค่าเป็นกำลังขั้วต่ำสุดหากมีฟังก์ชันดังกล่าว

อุปกรณ์นี้สอดคล้องกับข้อจำกัดเกี่ยวกับการสัมผัสคลื่นความถี่วิทยุแบบพกพาของสหรัฐอเมริกาและแคนาดาที่กำหนดไว้สำหรับสภาพแวดล้อมที่ไม่มีการควบคุม

ผลิตภัณฑ์นี้ปลอดภัยสำหรับการใช้งานตามที่อธิบายไว้ในคู่มือนี้ สามารถลดการสัมผัสกับคลื่นความถี่วิทยุได้มากขึ้นหากสามารถเก็บอุปกรณ์ไว้ห่างจากร่างกายของผู้ใช้งานมากที่สุดเท่าที่จะเป็นไปได้ หรือหากอุปกรณ์ถูกตั้งค่าเป็นกำลังขั้วต่ำสุดหากมีฟังก์ชันดังกล่าว

<http://patents.vistaoutdoor.com>

การกำจัดอุปกรณ์ไฟฟ้าและอุปกรณ์อิเล็กทรอนิกส์

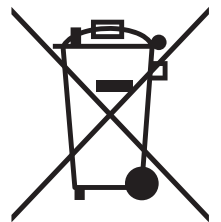
(ใช้ในสหภาพยุโรปและประเทศในยุโรปอื่นๆ ที่มีระบบการเก็บรวบรวมแยกต่างหาก)

อุปกรณ์นี้มีชิ้นส่วนที่เกี่ยวข้องกับไฟฟ้าและ/หรืออิเล็กทรอนิกส์ ดังนั้นจึงไม่สามารถทิ้งเหมือนขยะในครัวเรือนทั่วไป ควรนำไปทิ้ง

ที่จุดรวบรวมเพื่อให้นำมาไปรีไซเคิล การนำขยะไปทิ้งนี้ไม่มีค่าใช้จ่ายสำหรับคุณ

หากอุปกรณ์มีแบตเตอรี่แบบถอดเปลี่ยนได้ (ชาร์จใหม่ได้) แบตเตอรี่เหล่านี้ต้องถูกถอดออกก่อนเช่นกัน และหากจำเป็นก็ต้องถูกกำจัดตามกฎระเบียบที่เกี่ยวข้อง (ดูความคิดเห็นที่เกี่ยวข้องในคำแนะนำของหมวดนี้)

มีข้อมูลเพิ่มเติมเกี่ยวกับเรื่องนี้อยู่ที่ฝ่ายบริหารชุมชนของคุณ บริษัทเก็บขยะในพื้นที่ของคุณ หรือในร้านค้าที่คุณซื้ออุปกรณ์นี้



การรับประกันแบบมีข้อจำกัดสองปี

เครื่องวัดระยะด้วยแสงเลเซอร์กอล์ฟ Bushnell® ของคุณได้รับการรับประกันว่าไม่มีข้อบกพร่องในด้านวัสดุและฝีมือการผลิตเป็นเวลาสองปีหลังจากวันที่ซื้อ ในกรณีที่มีความบกพร่องใดๆ ภายในระยะเวลาประกันนี้ เราจะซ่อมแซมหรือเปลี่ยนผลิตภัณฑ์ให้ตามดุลยพินิจของเรา โดยมีเงื่อนไขว่า คุณต้องส่งคืนผลิตภัณฑ์ด้วยการส่งพัสดุแบบจ่ายก่อน การรับประกันนี้ไม่ครอบคลุมความเสียหายที่เกิดจากการใช้งานผิดประเภท การดูแลรักษาไม่เหมาะสม การติดตั้ง หรือการบำรุงรักษาที่จัดเตรียมโดยผู้อื่นที่นอกเหนือจากฝ่ายบริการที่ได้รับการรับรองโดย Bushnell

การส่งคืนที่อยู่ภายใต้การรับประกันนี้ ต้องมาพร้อมกับสิ่งต่างๆ ในรายการดังต่อไปนี้:

1. เช็ค/ธนาคัตติจำนวนเงิน 1 0.00 ดอลลาร์ เพื่อครอบคลุมค่าใช้จ่ายในการส่งไปรษณีย์และการจัดการ
2. ชื่อ ที่อยู่ และหมายเลขโทรศัพท์เพื่อส่งคืนผลิตภัณฑ์
3. คำอธิบายข้อบกพร่อง
4. สำเนาเอกสารยืนยันการซื้อของคุณ

อย่าส่งอุปกรณ์เสริม (แบตเตอรี่ เคส สายรัดข้อมือ เป็นต้น) ให้ส่งเฉพาะผลิตภัณฑ์เพื่อซ่อมแซมเท่านั้น

ผลิตภัณฑ์ควรถูกบรรจุอย่างดีในกล่องพัสดุที่ภายนอกมีความแน่นหนาเพื่อป้องกันความเสียหายระหว่างการขนส่ง และส่งไปยังที่อยู่ที่ตั้งแสดงด้านล่าง:

ในสหรัฐอเมริกา ส่งไปยัง:

Bushnell® Outdoor Products
Attn.: Repairs
9200 Cody
Overland Park, Kansas 66214

ในแคนาดา ส่งไปยัง:

Bushnell® Outdoor Products
Attn.: Repairs
140 Great Gulf Drive, Unit B
Vaughan, Ontario L4K 5W1

สำหรับผลิตภัณฑ์ที่ซื้อนอกสหรัฐอเมริกาหรือแคนาดาโปรดติดต่อตัวแทนจำหน่ายในพื้นที่ของคุณสำหรับข้อมูลการรับประกันที่เกี่ยวข้อง

การรับประกันนี้ให้สิทธิทางกฎหมายที่เฉพาะเจาะจงแก่คุณ
คุณอาจมีสิทธิอื่นๆ ซึ่งต่างกันไปตามแต่ละประเทศ
©2020 ผลิตภัณฑ์สำหรับกิจกรรมกลางแจ้ง Bushnell®

Selamat, Anda telah meningkatkan permainan Anda menjadi lebih "MENGGIGIT" dengan membeli Pengukur Jarak Laser Bushnell® Tour V5. Tour V5 adalah instrumen optik Pengukur Jarak Laser yang presisi, dirancang untuk memberikan kenyamanan penggunaan selama bertahun-tahun. Panduan pengguna ini akan membantu Anda mencapai performa optimum dengan menjelaskan fitur dan pengoperasiannya, serta cara merawat alat pengukur jarak Anda. Untuk memastikan kinerja optimal dan keawetan alat, harap membaca petunjuk ini sebelum menggunakan Tour V5 Anda.

PERINGATAN: Sebagaimana perangkat laser lain, tidak disarankan untuk melihat ke arah pancaran secara langsung dalam waktu lama dengan lensa diperbesar.

PENDAHULUAN

Bushnell® Tour V5 milik Anda ini adalah alat pengukur jarak laser premium lanjutan yang menggunakan teknologi digital dan prosesor turbo, sehingga memungkinkan pengukuran jarak dari 5-1300 yard/5-1189 meter. Tour V5 memberikan operasional yang sangat cepat dan akurasi +/- 1 yard.

Tour V5 dilengkapi dengan teknologi PinSeeker™ dengan JOLT yang memungkinkan pemain golf untuk dengan mudah dan cepat mendapat jarak bendera tanpa terganggu target-target latar belakang, dan kualitas optik yang amat baik. JOLT telah ditingkatkan menjadi "Visual JOLT" yang sepenuhnya baru. Cincin merah sekarang berkedip saat JOLT bergetar untuk memberi umpan balik yang lebih baik dan kepastian bahwa Anda telah mengunci pengukuran jarak ke bendera.

Yang juga baru pada Tour V5 adalahudukan magnetik BITE eksklusif dari Bushnell yang memungkinkan Anda dengan mudah memasang Tour V5 langsung di tiang kereta golf.

Panduan Komponen

1. Magnet BITE (*lihat foto inset*)
2. Sakelar Yard/Meter
3. Tombol Daya/Tembak
4. Tombol Putar Dioptri Okuler
5. Ruang Baterai
6. Sakelar Slope (*hanya model Shift*)



CARA KERJA TEKNOLOGI DIGITAL KAMI

Tour V5 memancarkan impuls energi inframerah yang tidak tampak dan aman bagi mata. Mikroprosesor digital lanjutan dan chip ASIC (Application-Specific Integrated Circuit) pada Tour V5 memungkinkan pengukuran jarak seketika dan akurat setiap saat. Teknologi digital mutakhirnya secara cepat menghitung jarak dengan mengukur waktu perambatan masing-masing gelombang dari pengukur jarak, ke target, dan sebaliknya.

AKURASI JARAK

Akurasi jarak Tour V5 adalah kurang lebih satu yard/meter dalam sebagian besar kondisi. Jarak maksimum pengukuran tergantung pada daya pantul target. Tour V5 dapat mengukur jarak bendera golf pada 400 yard/366 meter, dan untuk objek yang memiliki daya pantul cahaya tinggi jarak maksimumnya adalah 1300 yard/1189 meter.

Catatan: Anda akan mendapatkan jarak maksimum lebih panjang atau lebih pendek tergantung pada daya pantulan cahaya dari target dan kondisi lingkungan pada saat mengukur jarak objek. Warna, lapisan permukaan, ukuran, dan bentuk target semuanya memengaruhi daya pantul dan jarak. Semakin besar daya pantul target, semakin jauh jaraknya. Misalnya, benda putih atau perak memiliki daya pantul tinggi, sehingga memungkinkan jarak yang lebih jauh dibandingkan warna hitam, yang merupakan warna dengan daya pantul terendah. Lapisan permukaan licin atau mengkilap memberikan jarak lebih jauh daripada yang buram. Target yang kecil lebih sulit untuk diukur daripada target yang lebih besar. Sudut terhadap target juga memiliki pengaruh. Membidik target pada sudut 90 derajat (permukaan target tegak lurus terhadap jalur perambatan gelombang energi yang dipancarkan) memberikan jangkauan yang baik sedangkan sudut lancip di lain sisi, memberikan pengukuran jarak yang terbatas. Selain itu, kondisi pencahayaan (misalnya, intensitas cahaya matahari) akan memengaruhi kemampuan unit untuk mengukur jarak. Semakin lemah cahaya (misalnya, saat langit mendung) akan semakin jauh jarak maksimum unit. Sebaliknya, siang hari yang sangat terik akan mengurangi jangkauan maksimum unit.

MENGAKTIFKAN/MENGGANTI BATERAI

Lepaskan tutup baterai dengan mengangkat tab penutup baterai dan kemudian memutarkannya berlawanan arah jarum jam sampai lepas. Angkat untuk melepaskan tutup dan taruh.

MENGAKTIFKAN BATERAI YANG TERPASANG: Sebuah baterai CR2 telah terpasang di unit Tour V5 Anda yang baru. Sebelum menggunakan alat pengukur jarak, lepaskan tutup baterai seperti dijelaskan di atas. Lepaskan piringan plastik merah pelindung (lihat foto, kanan) dari bagian atas baterai, lalu pasang kembali tutup baterai.

MENGGANTI BATERAI YANG SUDAH LEMAH: Masukkan sebuah baterai litium CR2 3 volt baru ke dalam tempat baterai dengan ujung positif lebih dahulu (ujung "datar" negatif akan menghadap ke luar ke arah tutup baterai), kemudian pasang tutup baterai. Catatan: Penggantian baterai sebaiknya dilakukan minimal sekali setiap 6 bulan.



PENGOPERASIAN DASAR

1. Sambil melihat melalui Tour V5, tekan tombol Daya/Tembak sekali untuk mengaktifkan layar. Jika ikon layar dan angka kabur, putar okuler ke kedua arah sampai fokus (*lihat "Menyesuaikan Okuler" di bawah ini*).
2. Arahkan lingkaran pencari target (bagian tengah layar) ke sebuah target yang jaraknya paling sedikit 5 yard, tekan terus tombol Daya/Tembak sampai jarak "garis pandang" ditampilkan di dekat bagian bawah layar (*lihat "Indikator Layar" di bawah ini*). Garis silang yang mengelilingi lingkaran bidik menandakan laser sedang dipancarkan.
3. Setelah jarak berhasil diperoleh dan ditampilkan, Anda dapat melepaskan tombol Daya/Tembak. Garis silang di sekeliling lingkaran bidik akan hilang setelah tombol Daya/Tembak dilepas (laser tidak lagi dipancarkan).
4. Setelah diaktifkan, layar akan tetap tampak dan terus menampilkan pengukuran jarak terakhir selama 10 detik. Anda dapat menekan tombol Daya/Tembak lagi kapan saja untuk mengukur jarak target yang baru. Lama waktu maksimum laser dipancarkan (aktif) adalah 5 detik. Untuk menembak ulang, tekan tombol tersebut kembali.

MENGGUNAKAN PINSEEKER™ DENGAN VISUAL JOLT®

Fitur PinSeeker™ eksklusif dari Bushnell memungkinkan pengukuran jarak bendera secara pasti tanpa keliru mengukur jarak target besar di latar belakang (misalnya, pohon) yang memiliki kekuatan sinyal lebih besar.

Saat mengukur target Anda, apabila pancaran laser menemukan lebih dari satu objek (sebagai contoh, bendera dan sekumpulan pohon di belakangnya), hanya jarak ke objek yang terdekat (bendera) yang akan ditampilkan. Teknologi JOLT memberikan dua getaran singkat untuk mengonfirmasikan bahwa jarak yang ditampilkan adalah ke bendera, dan cincin merah (Indikator Visual JOLT) di sekeliling tepi luar layar diaktifkan, mengonfirmasi bahwa laser telah mengukur target yang benar melalui Pinseeker.

Ada saat-saat tertentu ketika pancaran laser hanya menemukan satu objek dalam jalurnya. Dalam hal ini, jarak akan ditampilkan, tetapi karena tidak menemukan lebih dari satu objek, indikasi JOLT tidak akan diberikan.

Tips: Saat menekan tombol Daya/Tembak, Anda dapat menggerakkan perangkat secara perlahan dari objek ke objek dan dengan sengaja mengarahkan laser untuk mengenai beberapa objek untuk memastikan bahwa Anda hanya menampilkan objek terdekat yang dideteksi oleh laser. Setelah perangkat dimatikan, unit akan selalu kembali ke mode yang terakhir digunakan.

MENYESUAIKAN OKULER

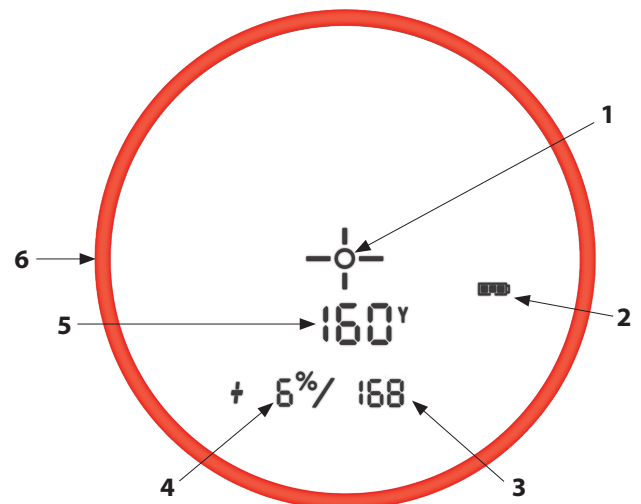
Tour V5 dilengkapi dengan okuler Fokus Cepat yang dapat diatur (*bisa disesuaikan +/-3,5 dioptri*) yang memungkinkan Anda untuk memfokuskan data dan ikon secara relatif ke gambar yang dilihat dari optik monokuler. Cukup putar okuler hingga layar fokus.

INDIKATOR LAYAR

Layar Tour V5 Anda dilengkapi indikator-indikator berikut (*merujuk pada gambar layar di sebelah kanan*):

1. Lingkaran Sasaran
(*garis silang di sekelilingnya menandakan transmisi laser*)
2. Level Baterai
3. Jarak "Mainkan Sebagai"* (*berdasarkan Kemiringan*)
4. Kemiringan* (% derajat)
5. Garis Jarak Pandang
6. Cincin Indikator Visual JOLT

*Hanya model Shift



INDIKATOR LEVEL BATERAI

Indikator Baterai (2) menunjukkan sisa level daya:

- Terisi penuh
- kira-kira 2/3 daya baterai tersisa
- kira-kira 1/3 daya baterai tersisa
- Indikator Baterai Berkedip - Baterai perlu diganti dan unit tidak akan dapat dioperasikan.

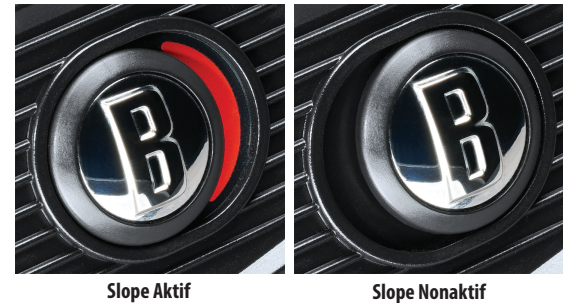
LASER AKTIF

Garis silang yang mengelilingi lingkaran bidik menandakan laser sedang dipancarkan. Setelah jarak diperoleh, Anda dapat melepas tombol Daya/Tembak. Garis silang di sekeliling lingkaran akan hilang setelah tombol Daya/Tembak dilepas (laser tidak lagi dipancarkan).

TEKNOLOGI SAKELAR SLOPE (HANYA PADA TOUR V5 SHIFT MODEL# 201910)

Teknologi Sakelar Slope memudahkan pemain golf mengaktifkan dan menonaktifkan fungsi Kemiringan yang merupakan hak paten milik Bushnell. Sakelar ini memungkinkan pemain golf untuk memanfaatkan fungsi Kemiringan secara mudah untuk mendapatkan jarak yang terkompensasi di lapangan golf apabila mereka menginginkannya dan sekaligus memiliki peranti yang mematuhi peraturan USGA dan legal untuk dipergunakan dalam turnamen saat mereka memerlukannya.

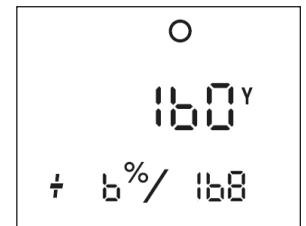
Saat kemiringan diaktifkan dengan menggeser Sakelar Slope di sisi Tour V5 Shift (model# 201910) ke kiri sehingga indikator Kemiringan berwarna merah tampak (lihat foto, kanan), Teknologi Kemiringan yang dipatenkan oleh Bushnell akan ditampilkan. Mode Slope +/- akan otomatis menghitung jarak terkompensasi sudut berdasarkan pada jarak dan kemiringan yang ditentukan oleh pengukur jarak laser dan inklinometer terpasang. Data ini kemudian digabungkan dalam rumus algoritma internal yang menghitung penggunaan tongkat rata-rata dan lintasan bola. Jarak terkompensasi sudut memberikan petunjuk cara memainkan pukulan (misalnya, tambahkan jarak jika menaik, kurangi jarak jika menurun). Geser Sakelar Slope ke kanan, dan Tour V5 Anda sekarang memenuhi aturan 14-3 USGA, dengan menutup fitur pengukuran jarak terkompensasi kemiringan.



CARA MENGGUNAKAN SLOPE +/-™ (HANYA PADA TOUR V5 SHIFT MODEL# 201910)

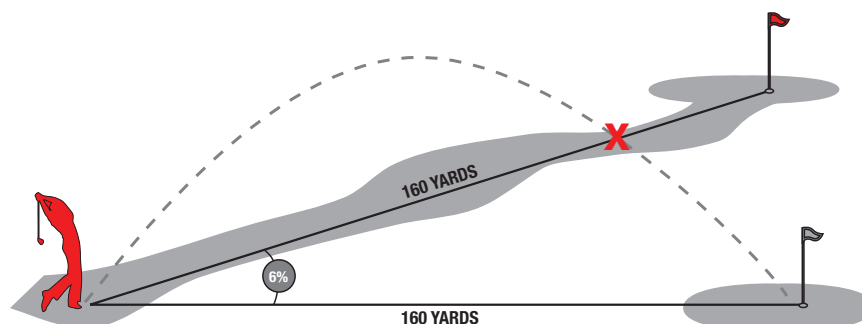
Geser sakelar slope ke posisi "Slope Aktif". Anda akan melihat baris kedua informasi muncul di layar, memberi konfirmasi bahwa Anda sekarang dalam mode slope. Tekan tombol Daya/Tembak untuk memperoleh jarak ke bendera atau objek lainnya. Setelah jarak ditampilkan, lepaskan tombol Daya/Tembak. Setelah Anda melepas tombol Daya/Tembak, persentase kemiringan dan jarak terkompensasi akan ditampilkan di bawah jarak standar pada baris angka kedua.

Sebagai contoh, apabila jarak sebenarnya adalah 160 yard, tetapi dengan kemiringan +6 persen, maka jarak terkompensasi kemiringan ("mainkan sebagai") adalah 168 yard. Layar akan menampilkan hal ini (kanan):



KEUNTUNGAN SLOPE +/-™ (TOUR V5 SHIFT)

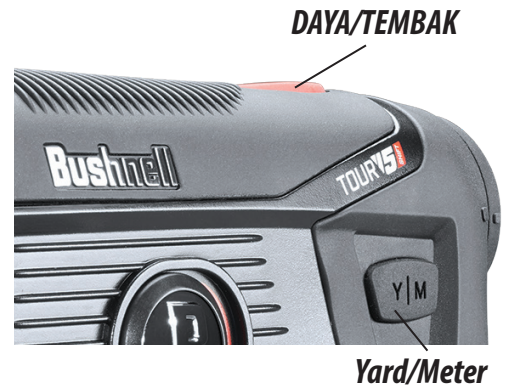
Jarak ke bendera hitam dalam gambar (lihat di bawah) adalah 160 yard. Jaraknya juga 160 yard ke bendera merah, meski pun dengan kemiringan 6% (tanjakan). Namun, jika pemain golf memainkan lubang ini dengan jarak 160 yard, bola (X) akan jatuh sebelum lubang/bendera apabila kemiringan tidak diperhitungkan. Karena kemiringan ini, maka lubang itu harus dimainkan sebagai pukulan 168 yard. Hal ini akan ditampilkan sebagai jarak "mainkan sebagai" yang terletak di bawah jarak garis pandang.



MENGATUR UNIT JARAK/PRATINJAU JOLT

Untuk memilih unit jarak (yard<>meter), tekan tombol Daya/Tembak(kanan) untuk menyalakan unit, lalu tahan tombol Y/M sampai unit di tampilan berubah.

Ini juga mengaktifkan indikator JOLT (getaran dan cincin visual di layar), memungkinkan Anda untuk melakukan pratinjau/demo efek teknologi JOLT tanpa mengharuskan Anda untuk memancarkan laser ke suatu target.



DUDUKAN MAGNETIK BITE

Tour V5 dilengkapi magnet BITE yang kuat, yang terdapat pada sisi kanan badan alatnya, yang memungkinkan peranti ini dipasang secara kuat ke tiang atau kerangka kereta golf.

PERINGATAN: Fitur BITE yang terpasang pada perangkat mengandung magnet Neodimium. Magnet dapat memengaruhi fungsi alat pacu jantung dan implan defibrilator jantung. Jika Anda menggunakan perangkat tersebut, jaga jarak dari magnet. Peringatkan orang lain yang memakai perangkat tersebut agar tidak terlalu dekat ke magnet.

- Magnet dapat kehilangan sebagian dari daya tempelnya secara permanen apabila terpapar suhu di atas 175°F (80°C).
- Magnet menghasilkan medan magnet yang kuat, berjarak jauh. Magnet bisa merusak TV dan laptop, hard drive komputer, kartu kredit dan ATM, media penyimpanan data, jam tangan mekanis, alat bantu dengar, dan speaker. Jauhkan unit dari perangkat dan objek yang bisa rusak karena medan magnetik kuat.
- Magnet memiliki medan magnet kuat yang dapat menjepit kulit dan jari. Harap berhati-hati ketika menempelkan unit ke batang logam.



PEMBERSIHAN DAN PERAWATAN UMUM

Lensa-lensa pengukur jarak laser Bushnell Tour V5 Anda mendapat multilapisan sepenuhnya agar dapat menyalurkan cahaya sebaik mungkin. Sebagaimana halnya optik dengan multilapisan, perhatian khusus harus diberikan dalam membersihkan lensa. Ikuti tips berikut untuk membersihkan lensa dengan benar:

- Tiup debu atau kotoran pada lensa (atau gunakan sikat lensa yang lembut).
- Untuk menghilangkan kotoran atau sidik jari, bersihkan dengan kain mikrofiber yang disertakan, seka dalam gerakan melingkar. Penggunaan kain kasar atau penyeka yang tidak perlu dapat menggores permukaan lensa dan pada akhirnya menyebabkan kerusakan permanen. Kain pembersih mikrofiber dapat dicuci yang disertakan ideal untuk pembersihan rutin perangkat optik. Cukup hembuskan napas ke lensa untuk memberi sedikit kelembapan, lalu seka perlahan lensa dengan kain mikrofiber.
- Untuk pembersihan lebih menyeluruh, tisu lensa fotografi dan cairan pembersih lensa tipe fotografi atau alkohol isopropil dapat digunakan. Selalu aplikasikan cairan pada kain pembersih - jangan sekali-kali menggunakannya secara langsung pada lensa.
- Pengukur jarak ini tahan air, tetapi tidak boleh terkena hujan lebat atau aliran air langsung lainnya, dan tidak akan dapat bertahan jika terendam dalam air atau cairan lainnya.

KEHATI-HATIAN: Harap berhati-hati dan menghindari sinar matahari langsung masuk ke okuler untuk mencegah kerusakan pada layar/komponen internal. Saat menggunakan magnet BITE untuk menempelkan peranti ke tiang atau kerangka kereta golf, miringkan peranti sehingga bagian okuler mengarah ke tanah, tidak mengarah ke atas menuju matahari. Saat Anda tidak menggunakan peranti, harap menyimpannya di dalam tas untuk perlindungan tambahan.

PEMECAHAN MASALAH

Jangan membongkar alat pengukur jarak laser Anda. Kerusakan yang tak dapat diperbaiki dapat timbul karena upaya perbaikan yang tidak resmi, yang juga menghilangkan garansi.

Jika unit tidak menyala, layar tidak terang:

- Tekan tombol Daya/Tembak.
- Periksa dan jika perlu, ganti baterai. Jika unit tidak merespons saat tombol ditekan, ganti baterai dengan baterai Lithium CR2 3-volt berkualitas baik.

Jika daya unit menurun (tampilan kosong ketika mencoba menyalakan laser):

- Baterai lemah atau berkualitas rendah. Ganti baterai dengan baterai lithium 3 volt (CR2) baru.


Jika jarak target tidak diperoleh:

- Pastikan layar menyala.
- Pastikan tombol Daya/Tembak ditekan.
- Pastikan misalnya, tangan atau jari tidak menghalangi lensa objektif (lensa yang paling dekat ke target) yang memancarkan dan menerima gelombang laser.
- Pastikan unit digenggam dengan stabil saat menekan tombol Daya/Tembak.

CATATAN: Pembacaan jarak terakhir tidak perlu dihapus sebelum mengukur jarak target lainnya. Cukup arahkan ke target baru menggunakan layar pencari, tekan tombol Daya/Tembak dan tahan sampai pengukuran jarak yang baru ditampilkan.

Spesifikasi Teknis

Dimensi	1,5 x 4,25 x 3 inci
Berat	8 oz.
Akurasi Jarak	Akurat sampai +/- 1 yard
Rentang	5-1300 Yard/5-1189 Meter
Pembesaran	6x
Diameter Objektif	22 mm
Lapisan Optik	Multi-Lapisan Sepenuhnya
Layar	LCD dengan cincin indikator Jolt beriluminasi
Sumber Daya	Litium 3-volt (CR-2)
Bidang Lihat	300 kaki @ 1000 yard/100 meter @ 1000 meter
Bantuan Penglihatan Jarak Jauh	13 mm
Pupil Keluar	3,5 mm
Item yang Disertakan	Tas Jinjing Premium dan Baterai CR2

 **PERINGATAN:** Produk ini menggunakan baterai berbahan dasar Litium. Baterai Litium dapat panas berlebihan dan menyebabkan kerusakan jika terkena perlakuan fisik. Jangan gunakan baterai yang rusak atau menunjukkan tanda-tanda keausan fisik.

Pernyataan FCC

Peranti ini memenuhi Aturan FCC bagian 15. Pengoperasian tunduk pada dua kondisi berikut: (1) Perangkat ini tidak boleh menimbulkan interferensi yang berbahaya, dan (2) perangkat ini harus menerima interferensi apa pun yang ditangkap, termasuk interferensi yang dapat menyebabkan pengoperasian yang tidak diinginkan.

Peralatan ini telah diuji dan ditemukan telah mematuhi batas-batas peranti digital Kelas B, berdasarkan Bagian 15 dari Aturan FCC. Batasan ini dirancang untuk memberikan perlindungan yang wajar terhadap interferensi berbahaya pada pemasangan di rumah.

Peralatan ini menghasilkan, menggunakan, dan dapat memancarkan energi frekuensi radio, dan jika tidak dipasang dan dipergunakan sesuai dengan petunjuk, dapat menimbulkan interferensi yang merusak terhadap komunikasi radio. Namun, tidak ada jaminan bahwa interferensi tidak akan terjadi pada pemasangan tertentu.

Jika peralatan ini menyebabkan timbulnya interferensi berbahaya pada penerimaan radio atau televisi, yang dapat ditentukan dengan mematikan dan menghidupkan peralatan, pengguna dianjurkan untuk mencoba memperbaiki interferensi tersebut dengan salah satu atau beberapa langkah berikut:

- Ubah arah atau pindahkan antena penerima.
- Tingkatkan jarak pemisah antara alat dan penerima.
- Hubungkan alat ke colokan pada sirkuit yang berbeda dengan yang terhubung ke penerima.
- Hubungi dealer atau teknisi radio/TV yang berpengalaman untuk mendapatkan bantuan.



Label penjelasan hanya ditunjukkan di dalam manual ini karena keterbatasan tempat.

Catatan Perawatan:

- Konsumen dapat melepas pintu baterai untuk mengganti baterai.
- Produk ini tidak mengandung kendali yang dapat diperbaiki pengguna.
- Produk ini tidak boleh dibuka atau dimodifikasi oleh konsumen.
- Produk ini harus dikembalikan ke produsen untuk perbaikan.

Hubungi: **Bushnell Holdings, Inc.**

9200 Cody, Overland Park KS 66214



KEAMANAN FDA

Mematuhi aturan 21CFR1040.10 dan 1040.11 kecuali untuk kepatuhan dengan IEC60825-1 Ed.3., seperti yang diuraikan dalam Laser Notice 56, tanggal 8 Mei 2019

Peringatan- penggunaan kendali atau pengaturan atau prosedur pelaksanaan selain yang disebutkan di sini dapat mengakibatkan paparan radiasi berbahaya.

Pernyataan Industry Canada:

Peranti ini mematuhi aturan RSS tanpa lisensi dari ISED. Pengoperasian tunduk pada dua kondisi berikut: (1) Perangkat ini tidak boleh menimbulkan interferensi yang berbahaya, dan (2) perangkat ini harus menerima interferensi apa pun yang diterima, termasuk interferensi yang dapat menyebabkan pengoperasian yang tidak diinginkan.

Le présent appareil est conforme aux CNR d'ISED applicables aux appareils radio exempts de licence. L'exploitation est autorisée aux deux conditions suivantes: (1) le dispositif ne doit pas produire de brouillage préjudiciable, et (2) ce dispositif doit accepter tout brouillage reçu, y compris un brouillage susceptible de provoquer un fonctionnement indésirable.

Pernyataan Paparan Radiasi/Déclaration d'exposition aux radiations:

Peranti ini mematuhi batas paparan RF portabel dari Industry Canada yang ditetapkan untuk lingkungan tak terkontrol dan aman untuk penggunaan sesuai yang dijelaskan dalam panduan ini. Pengurangan paparan frekuensi radio lebih lanjut dapat dicapai apabila produk dapat diletakkan sejauh mungkin dari tubuh pengguna atau apabila peranti disetel ke tingkat daya keluaran yang lebih rendah apabila fungsi semacam itu tersedia.

Le produit est conforme aux limites d'exposition pour les appareils portables RF pour les Etats-Unis et le Canada établies pour un environnement non contrôlé.

Le produit est sûr pour un fonctionnement tel que décrit dans ce manuel. La réduction aux expositions RF peut être augmentée si l'appareil peut être conservé aussi loin que possible du corps de l'utilisateur ou que le dispositif est réglé sur la puissance de sortie la plus faible si une telle fonction est disponible.

<http://patents.vistaoutdoor.com>

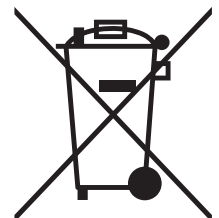
Pembuangan Peralatan Listrik dan Elektronik

(Berlaku di UE dan negara Eropa lainnya yang menggunakan sistem pengumpulan terpisah)

Peranti ini mengandung komponen listrik dan/atau elektronik dan dengan demikian tidak boleh dibuang sebagai sampah rumah tangga biasa. Namun, harus dibuang di tempat pengumpulan yang ditetapkan untuk daur ulang yang disediakan oleh komunitas. Untuk Anda, ini bebas biaya.

Apabila peralatan mengandung baterai yang dapat diganti (dapat diisi ulang), maka baterai ini juga harus dilepaskan terlebih dahulu, dan jika perlu, juga dibuang sesuai dengan aturan yang berlaku (lihat juga petunjuk terkait dalam panduan unit ini).

Informasi lebih lanjut tentang hal ini tersedia di administrasi masyarakat Anda, perusahaan pengumpulan limbah setempat, atau di toko tempat Anda membeli peralatan ini.



GARANSI TERBATAS DUA TAHUN

Pengukur jarak laser golf Bushnell® Anda dijamin bebas dari cacat material dan pembuatan selama dua tahun sejak tanggal pembelian. Dalam hal cacat produk menurut garansi ini, kami akan, sesuai pilihan kami, memperbaiki atau mengganti produk, sepanjang Anda mengembalikan produk yang dikirim melalui pos prabayar. Garansi ini tidak mencakup kerusakan yang disebabkan oleh kesalahan penggunaan, penanganan yang tidak tepat, pemasangan, atau perawatan yang dilakukan oleh orang selain dari Bagian Servis Resmi Bushnell®.

Pengembalian yang dilakukan menurut garansi ini harus dilengkapi dengan persyaratan berikut:

1. Cek/money order dalam jumlah \$10,00 untuk mengganti biaya pengiriman dan penanganan
2. Nama, alamat, dan no. telepon hari kerja untuk pengembalian produk.
3. Keterangan kerusakan.
4. Salinan bukti pembelian dengan stempel tanggal.

Jangan mengirim aksesori (baterai, tas, tali, dll.), cukup produk yang akan diperbaiki saja.

Produk harus dikemas rapi dalam karton pengiriman yang kokoh untuk mencegah kerusakan di perjalanan, dan dikirim ke alamat yang tercantum di bawah:

DI AS Kirim ke:

Bushnell® Outdoor Products
Attn.: Repairs
9200 Cody
Overland Park, Kansas 66214

DI KANADA Kirim ke:

Bushnell® Outdoor Products
Attn.: Repairs
140 Great Gulf Drive, Unit B
Vaughan, Ontario L4K 5W1

Untuk produk yang dibeli di luar Amerika Serikat atau Kanada, harap menghubungi dealer setempat Anda untuk mendapat informasi tentang garansi yang berlaku.

Garansi ini memberi Anda hak hukum spesifik.
Anda mungkin memiliki hak-hak lain yang berbeda tergantung negara.
©2020 Bushnell® Outdoor Products

Bushnell®

GOLF